



THERMOLEC

Electric Plenum Heaters



The Latest In Technology for Dual Fuel Heating

An Easy Conversion to Clean, Convenient and Affordable Electric Heat

Thermolec electric plenum heaters are the best way to convert your new or existing fossil fuel furnace to a safe and convenient dual energy electric heating system. Dual fuel heating systems allow you to heat your home with electricity at low-cost off-peak rates. Electricity will be your primary source of heat, but will automatically switch to fossil fuel backup heating to meet comfort requirements.

Thermolec Electric Plenum Heaters Offer You...

- Low operating cost
- 100% efficiency
- Clean operation
- Safe performance
- Unsurpassed comfort
- No odors, fumes, or carbon monoxide

Thermolec® Plenum Heater Features

The Thermolec plenum heater mounts to the supply side ducting of your fossil fuel furnace and uses its fan to move air across the plenum heater elements to heat your home. Both the fossil fuel furnace and the electric plenum heater utilize the same thermostat and minimizing installation cost. Electric plenum heaters can also be installed in conjunction with central air conditioning.



Six Models

- Range from 5 - 30 kW (17,065 - 102,390 BTUH)

High-grade nickel-chrome open coil elements

- Low airflow requirements - longer element life

Built-in dual fuel control

- Automatically switches to fossil fuel back-up with utility load control or can be switched manually

Circuit breakers included

- Provides safe electrical isolation

Ten-Year Element Warranty

- For your peace of mind

Applications

Standard Plenum Heater: Fossil fuel furnace with or without A/C

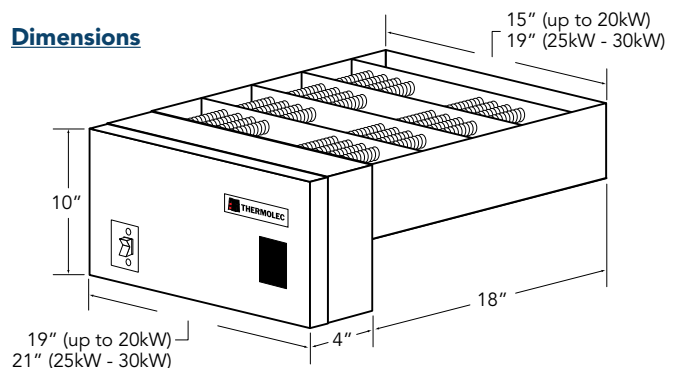
Modulating Plenum Heater: Fossil fuel furnace with heat pump or zoned system

Distributed By:



Typical Installation

Dimensions



THERMOLEC

2060 Lucien-Thimens
Montreal, Quebec, Canada
H4R 1L1

Tel.: 514-336-9130 Fax.: 514-336-3270

Web Site: www.thermolec.com
Email: sales@thermolec.com

