

THERMO X AIR

Mini Fresh Air Make-up



PATENTED

- Provides up to 90 CFM of tempered fresh air •
- Three position push button room controller with pilot lights •
- Modulated heat • Washable filter • Compact size •

Today's airtight homes and offices beg for fresh air. When we trap the heat, excess humidity and indoor pollutants such as cleaning products, smoking and pets, will negatively affect the quality of the air we breathe, making our environment both uncomfortable and unhealthy.

In new construction the ventilation code requires the installation of a system to provide adequate fresh air. During winter, the incoming fresh air is at too low a temperature to be comfortable and requires preheating. It is more economical to preheat the incoming air at a specific, **controlled** source than requiring the central system to continually compensate for heat loss.

When the fresh air required is 90 CFM or less the new *THERMO X AIR* mini fresh air make-up offers the optimum solution at the lowest total cost.

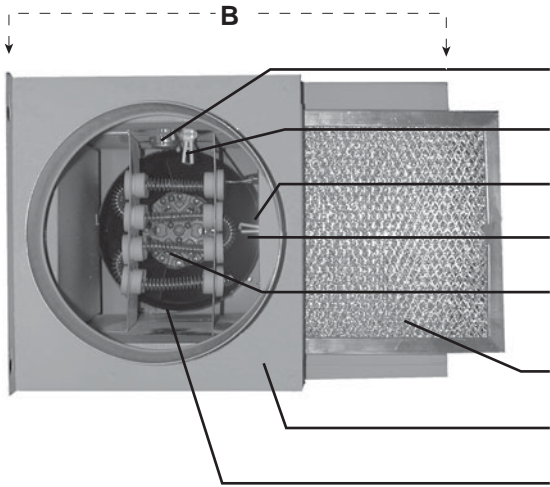
The *THERMO X AIR* mini fresh air make-up is designed to complement your heating system by pre-heating this fresh air at the lowest cost, thus continuously providing comfortable ventilation throughout the house.

Equipped with the most advanced **modulating controller** and **air sensor**, the *THERMO X AIR* mini fresh air make-up uses the minimum amount of energy required to meet your needs. The air flow sensor detects the amount of air flowing through the unit and modulates the heating capacity accordingly, maximizing savings.

The *THERMO X AIR* system is a quality product engineered for peak performance and long life.

THERMO X AIRTM

FEATURES AND SPECIFICATIONS

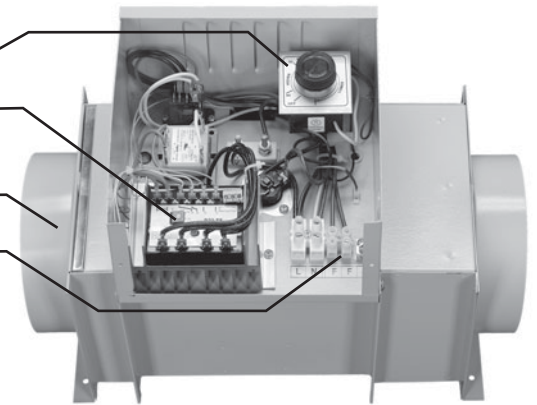


- Automatic Reset Thermal Cut-out**
Safety feature preventing overheating; will reset automatically after cool-off.
- Air Flow Sensor**
Modulates the heating capacity according to the quantity of air flowing through the heater.
- Manual Reset Thermal Cut-out**
Additional safety feature which prevents the frame from overheating.
- Temperature Sensor**
Controls the heater proportionally to maintain the pre-set air temperature in the duct.
- Open Coil Elements**
Made of the highest grade nickel-chrome resistance wire, they will not age or oxidize, thus assuring longer heater life.
- Washable Filter**
Easy access filter.
- Enclosure**
Corrosion resistant galvanized steel.
- Fan**
High quality tube axial fan with ball bearings for lowest noise and longest life.

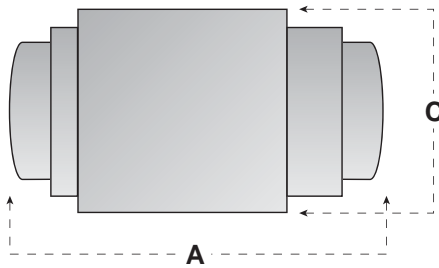
Built-in Electronic Temperature Controller and Sensor
Proportionally modulates the heating load to match the exact capacity required, thus minimizing operating cost.

Round Collars
Simplifies the installation and considerably reduces field labor.

Connection for Exhaust Fan Supplied
120VAC up to 3 amps. max. output to drive simultaneously an exhaust fan when required.



One Touch Room Control
Allows full or intermittent ventilation.
Pilot lights indicate the selected mode.



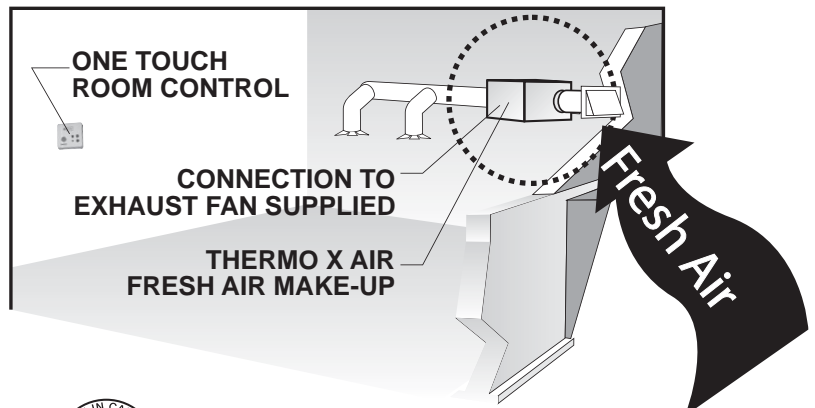
DIA	A	B	C
6"	16.00"	11.50"	8.00"

Model	Collar size	KW	Voltage	Amps	CFM
FER-6-1.5-120	6	1.5	120/1	12.5	45
FER-6-1.5-240	6	1.5	120/240/1	6.25	45
FER-6-2-240	6	2	120/240/1	8.3	60
FER-6-3-240	6	3	120/240/1	12.5	90

Other capacities and voltages available.

DISTRIBUTED BY :

TYPICAL APPLICATION OF THE THERMO X AIR MINI FRESH-AIR MAKE-UP

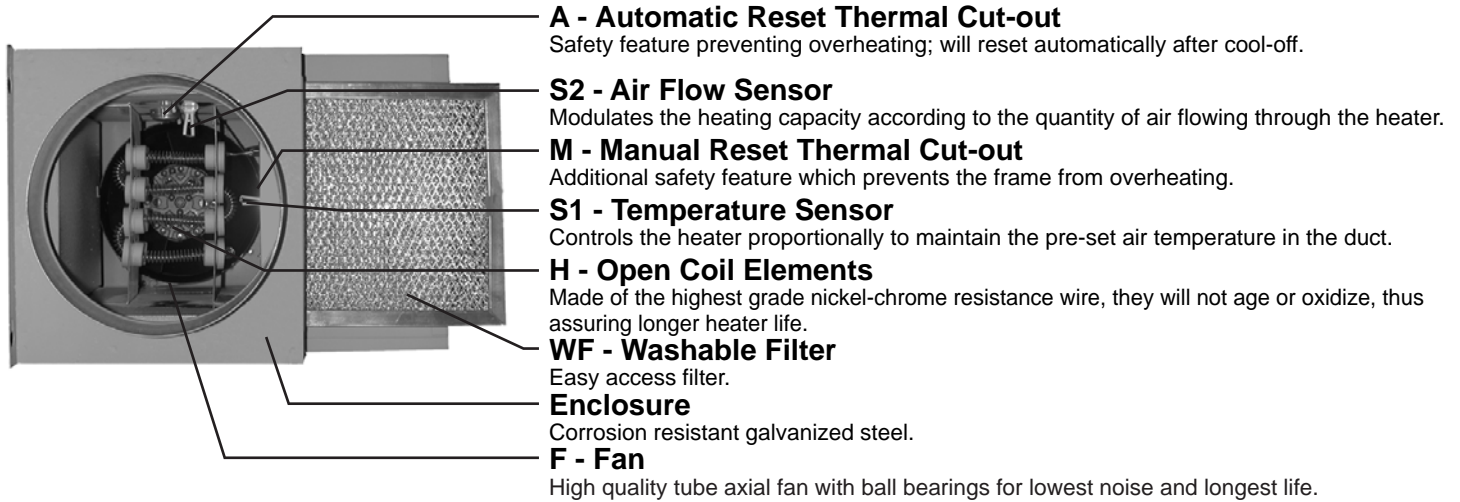


THERMOLEC

TEL.: (514) 336-9130 / FAX: (514) 336-3270
WEB: www.thermolec.com

Parts list for **THERMO X AIR**™

FEATURES AND SPECIFICATIONS



FSC - Fan Speed Control

To adjust the air volume

T - Transformer

Converts input voltage to 24V control voltage.

D22-TF - Built-in Electronic Temperature Controller and Sensor

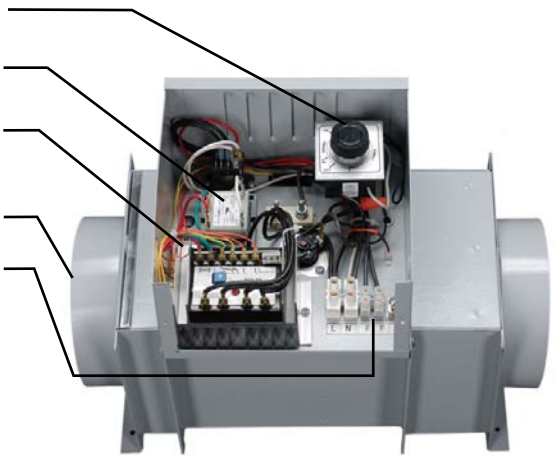
Proportionally modulates the heating load to match the exact capacity required, thus minimizing operating cost.

Round Collars

Simplifies the installation and considerably reduces field labor.

Connection for Exhaust Fan Supplied

120VAC up to 3 amps. max. output to drive simultaneously an exhaust fan when required.



TFC-1 - One Touch Room control

Allows full or intermittent ventilation. Pilot lights indicate the selected mode.

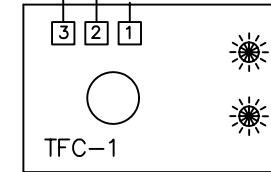
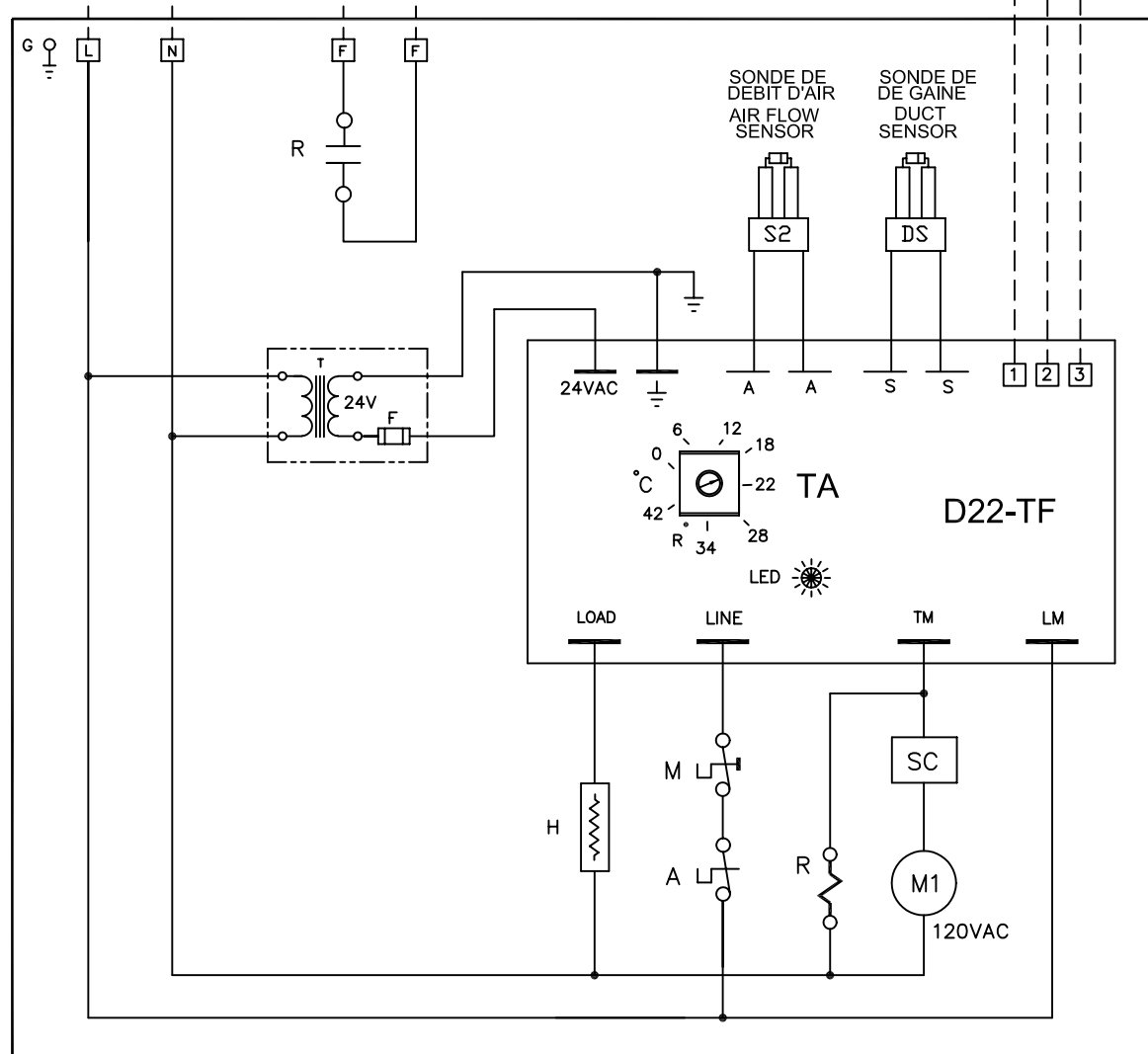
THERMO X AIR	DIA.	KW	VOLTAGE	ELEMENT	QTY
FER-6-1.5-120	6"	1.5	120/1	1G8	1
FER-6-1.5-240	6"	1.5	240/1	2G12	1
FER-6-2-240	6"	2.0	240/1	2V13	1
FER-6-3-240	6"	3.0	240/1	1G16	2

CODE	DESCRIPTION	THERMOLEC PART #	RATING
A	AUTOMATIC RESET CUT-OUT	CCO 010	25A 240V
S2	AIR FLOW SENSOR	CSR 143	10 KΩ
M	MANUAL RESET CUT-OUT	CCO 030	25A 240V
S1	DUCT SENSOR	CSR 149	10 KΩ
H	HEATING ELEMENT	SEE TABLE ABOVE	
WF	WASHABLE FAN FILTER	CMUP 020	
F	FAN	CMUP 010	100 CFM
FSC	FAN SPEED CONTROL	CMUP 060	2.5A 120V
D22-TF	SOLID STATE CONTROLLER	CMUP 058	12.5A 240V
T	TRANSFORMER	CTR 015	5VA 120/24V
TFC-1	ONE TOUCH ROOM CONTROL	CMUP 015	

ALIMENTATION
FEEDER

CONTACT AUXILIAIRE 120VAC 10 AMPS MAX POUR COUPLAGE
D'UN VENTILATEUR D'EVACUATION LORSQUE REQUIS.

AUXILIARY CONTACT 120VAC UP TO 10 AMPS FOR
EXHAUST FAN INTERLOCK WHEN REQUIRED.



Controlleur à
Bouton poussoir
Push button
Room controller

LEGENDE

- A SONDE THERMIQUE A REENCLANCHEMENT AUTOMATIQUE
- M SONDE THERMIQUE A REENCLANCHEMENT MANUEL
- D22-TF CONTROLEUR ELECTRONIQUE
- H ELEMENT CHAUFFANT
- DS SONDE DE GAINÉ
- S2 SONDE DE DEBIT D'AIR
- SC REGULATION DE VITESSE
- MI MOTEUR DU VENTILATEUR 120VAC
- T TRANSFORMATEUR
- TA SELECTEUR DE TEMPERATURE
- R RELAIS VENTILATEUR D'EVACUATION

LEGEND

- A AUTOMATIC RESET CUT-OUT
- M MANUAL RESET CUT-OUT
- D22-TF SOLID STATE CONTROLLER
- H HEATING ELEMENT
- DS DUCT SENSOR
- S2 AIR FLOW SENSOR
- T TRANSFORMER
- SC SPEED CONTROLLER
- M1 FAN MOTOR 120VAC
- TA TEMPERATURE SET POINT ADJUSTER
- R EXHAUST FAN RELAY

TITLE/TITRE

MINI FRESH AIR MAKE-UP W.D



THERMOLEC

MONTREAL - CANADA

LTEE
LTD

DRAWING NO. FRESH MAKE-UP 120

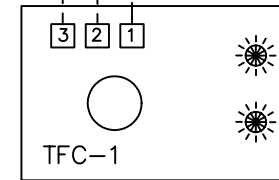
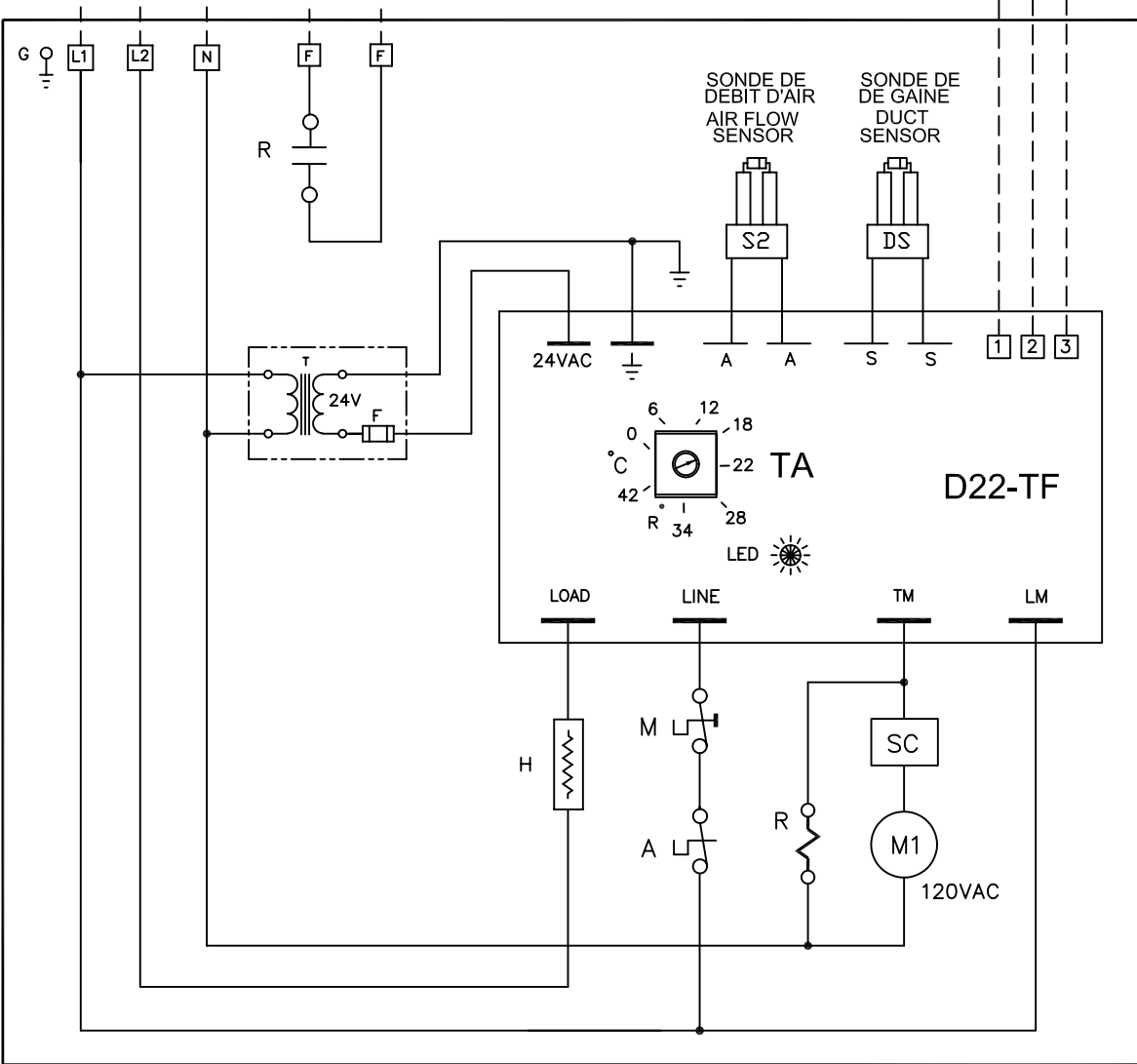
DATE

PER

ALIMENTATION
FEEDER

CONTACT AUXILIAIRE 120VAC 10 AMPS MAX POUR COUPLAGE
D'UN VENTILATEUR D'EVACUATION LORSQUE REQUIS.

AUXILIARY CONTACT 120VAC UP TO 10 AMPS FOR
EXHAUST FAN INTERLOCK WHEN REQUIRED.



Contrôleur à
Bouton poussoir
Push button
Room controller

LEGENDE

- A SONDE THERMIQUE A REENCLANCHEMENT AUTOMATIQUE
- M SONDE THERMIQUE A REENCLANCHEMENT MANUEL
- D22-TF CONTROLEUR ELECTRONIQUE
- H ELEMENT CHAUFFANT
- DS SONDE DE GAINÉ
- S2 SONDE DE DEBIT D'AIR
- SC REGULATION DE VITESSE
- MI MOTEUR DU VENTILATEUR 120VAC
- T TRANSFORMATEUR
- TA SELECTEUR DE TEMPERATURE
- R RELAIS VENTILATEUR D'EVACUATION

LEGEND

- A AUTOMATIC RESET CUT-OUT
- M MANUAL RESET CUT-OUT
- D22-TF SOLID STATE CONTROLLER
- H HEATING ELEMENT
- DS DUCT SENSOR
- S2 AIR FLOW SENSOR
- T TRANSFORMER
- SC SPEED CONTROLLER
- M1 FAN MOTOR 120VAC
- TA TEMPERATURE SET POINT ADJUSTER
- R EXHAUST FAN RELAY

TITLE/TITRE

MINI FRESH AIR MAKE-UP W.D



THERMOLEC

MONTREAL - CANADA

LTEE
LTD

DRAWING NO. FRESH MAKE-UP 240

DATE

PER