

THERMO X AIR

Mini Fresh Air Make-up



PATENTED

- Provides up to 90 CFM of tempered fresh air •
- Three position push button room controller with pilot lights •
- Modulated heat • Washable filter • Compact size •

Today's airtight homes and offices beg for fresh air. When we trap the heat, excess humidity and indoor pollutants such as cleaning products, smoking and pets, will negatively affect the quality of the air we breathe, making our environment both uncomfortable and unhealthy.

In new construction the ventilation code requires the installation of a system to provide adequate fresh air. During winter, the incoming fresh air is at too low a temperature to be comfortable and requires preheating. It is more economical to preheat the incoming air at a specific, **controlled** source than requiring the central system to continually compensate for heat loss.

When the fresh air required is 90 CFM or less the new *THERMO X AIR* mini fresh air make-up offers the optimum solution at the lowest total cost.

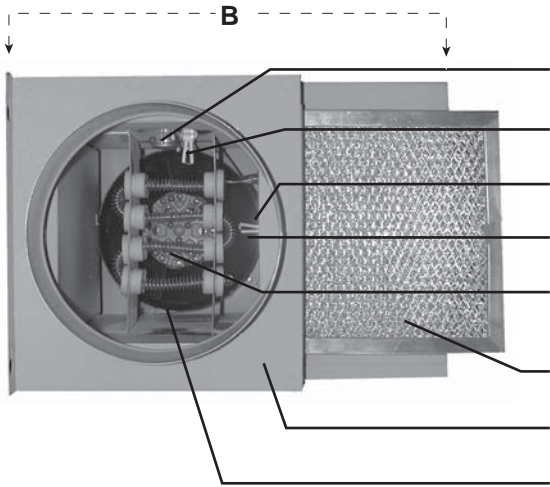
The *THERMO X AIR* mini fresh air make-up is designed to complement your heating system by pre-heating this fresh air at the lowest cost, thus continuously providing comfortable ventilation throughout the house.

Equipped with the most advanced **modulating controller** and **air sensor**, the *THERMO X AIR* mini fresh air make-up uses the minimum amount of energy required to meet your needs. The air flow sensor detects the amount of air flowing through the unit and modulates the heating capacity accordingly, maximizing savings.

The *THERMO X AIR* system is a quality product engineered for peak performance and long life.

THERMO X AIRTM

FEATURES AND SPECIFICATIONS



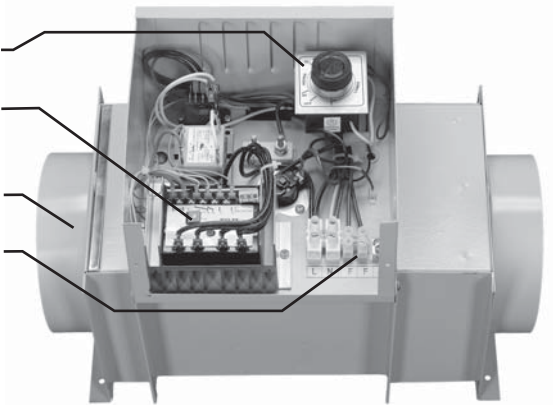
- Automatic Reset Thermal Cut-out**
Safety feature preventing overheating; will reset automatically after cool-off.
- Air Flow Sensor**
Modulates the heating capacity according to the quantity of air flowing through the heater.
- Manual Reset Thermal Cut-out**
Additional safety feature which prevents the frame from overheating.
- Temperature Sensor**
Controls the heater proportionally to maintain the pre-set air temperature in the duct.
- Open Coil Elements**
Made of the highest grade nickel-chrome resistance wire, they will not age or oxidize, thus assuring longer heater life.
- Washable Filter**
Easy access filter.
- Enclosure**
Corrosion resistant galvanized steel.
- Fan**
High quality tube axial fan with ball bearings for lowest noise and longest life.

Built-in Electronic Temperature Controller and Sensor
Proportionally modulates the heating load to match the exact capacity required, thus minimizing operating cost.

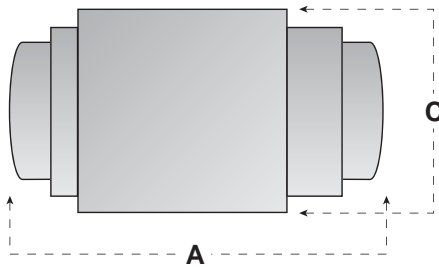
Round Collars
Simplifies the installation and considerably reduces field labor.

Connection for Exhaust Fan Supplied
120VAC up to 3 amps. max. output to drive simultaneously an exhaust fan when required.

- Fan Speed Control**
To adjust the air volume.



One Touch Room Control
Allows full or intermittent ventilation.
Pilot lights indicate the selected mode.



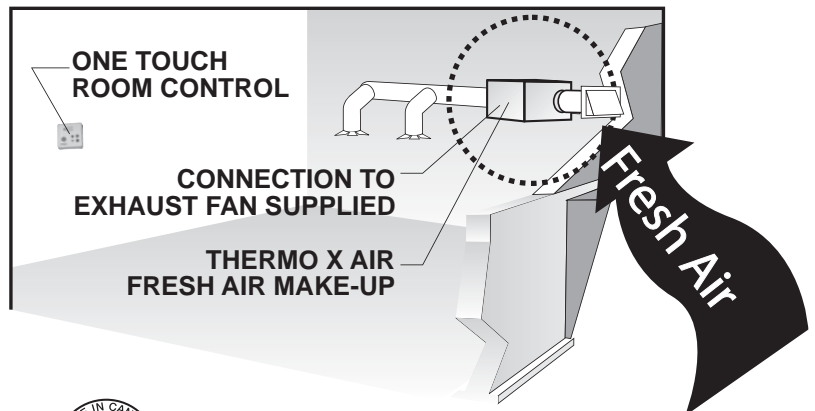
DIA	A	B	C
6"	16.00"	11.50"	8.00"

Model	Collar size	KW	Voltage	Amps	CFM
FER-6-1.5-120	6	1.5	120/1	12.5	45
FER-6-1.5-240	6	1.5	120/240/1	6.25	45
FER-6-2-240	6	2	120/240/1	8.3	60
FER-6-3-240	6	3	120/240/1	12.5	90

Other capacities and voltages available.

DISTRIBUTED BY :

TYPICAL APPLICATION OF THE THERMO X AIR MINI FRESH-AIR MAKE-UP



THERMOLEC

TEL.: (514) 336-9130 / FAX: (514) 336-3270
WEB: www.thermolec.com