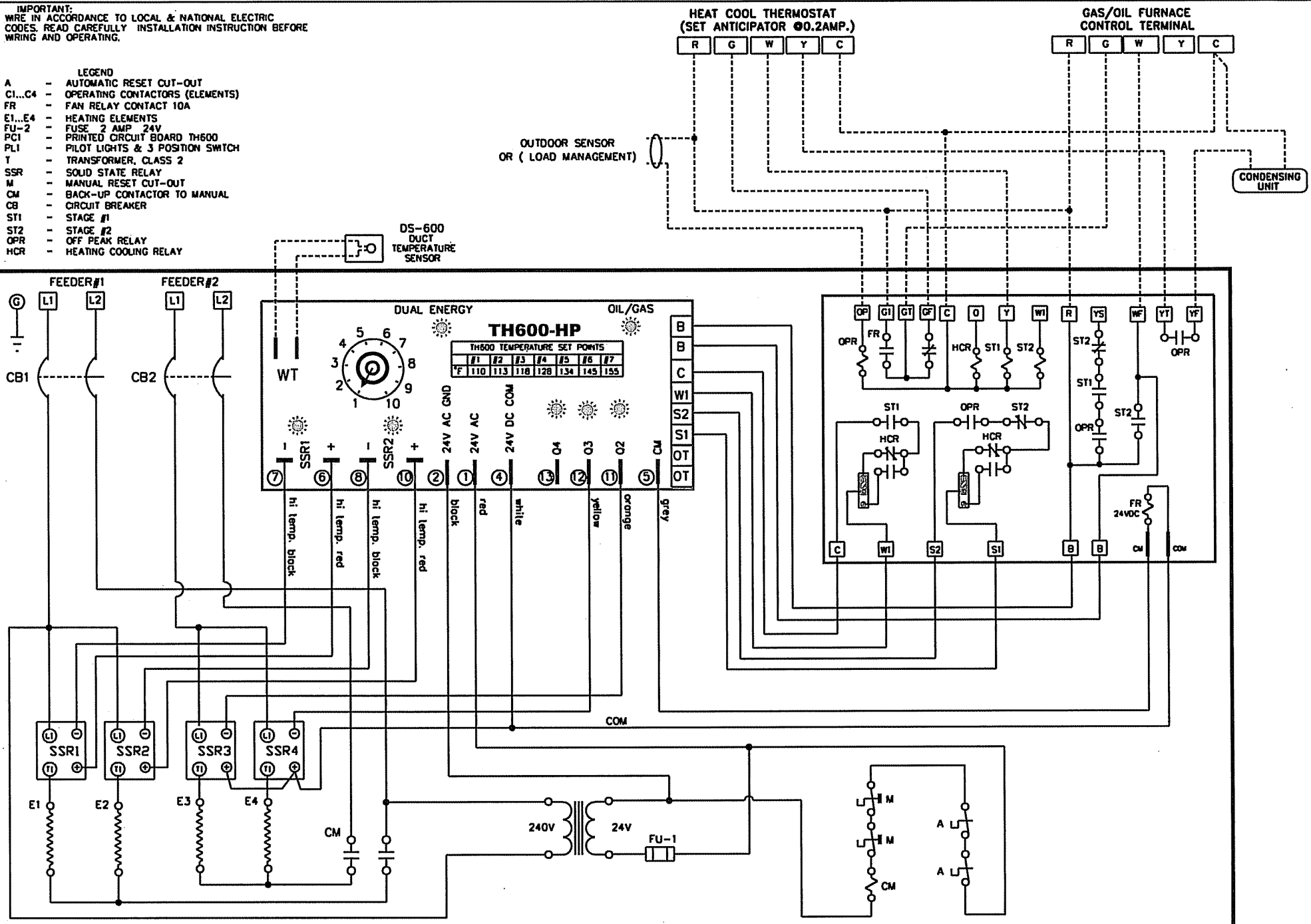


IMPORTANT:
WIRE IN ACCORDANCE TO LOCAL & NATIONAL ELECTRIC CODES. READ CAREFULLY INSTALLATION INSTRUCTION BEFORE WIRING AND OPERATING.

- LEGEND**
- A - AUTOMATIC RESET CUT-OUT
 - C1...C4 - OPERATING CONTACTORS (ELEMENTS)
 - FR - FAN RELAY CONTACT 10A
 - E1...E4 - HEATING ELEMENTS
 - FU-2 - FUSE 2 AMP 24V
 - PC1 - PRINTED CIRCUIT BOARD TH600
 - PL1 - PILOT LIGHTS & 3 POSITION SWITCH
 - T - TRANSFORMER, CLASS 2
 - SSR - SOLID STATE RELAY
 - M - MANUAL RESET CUT-OUT
 - CM - BACK-UP CONTACTOR TO MANUAL
 - CB - CIRCUIT BREAKER
 - ST1 - STAGE #1
 - ST2 - STAGE #2
 - OPR - OFF PEAK RELAY
 - HCR - HEATING COOLING RELAY



TITLE/TITRE (STANDARD)
Modulating Plenum Heater-AC (FURNACE)

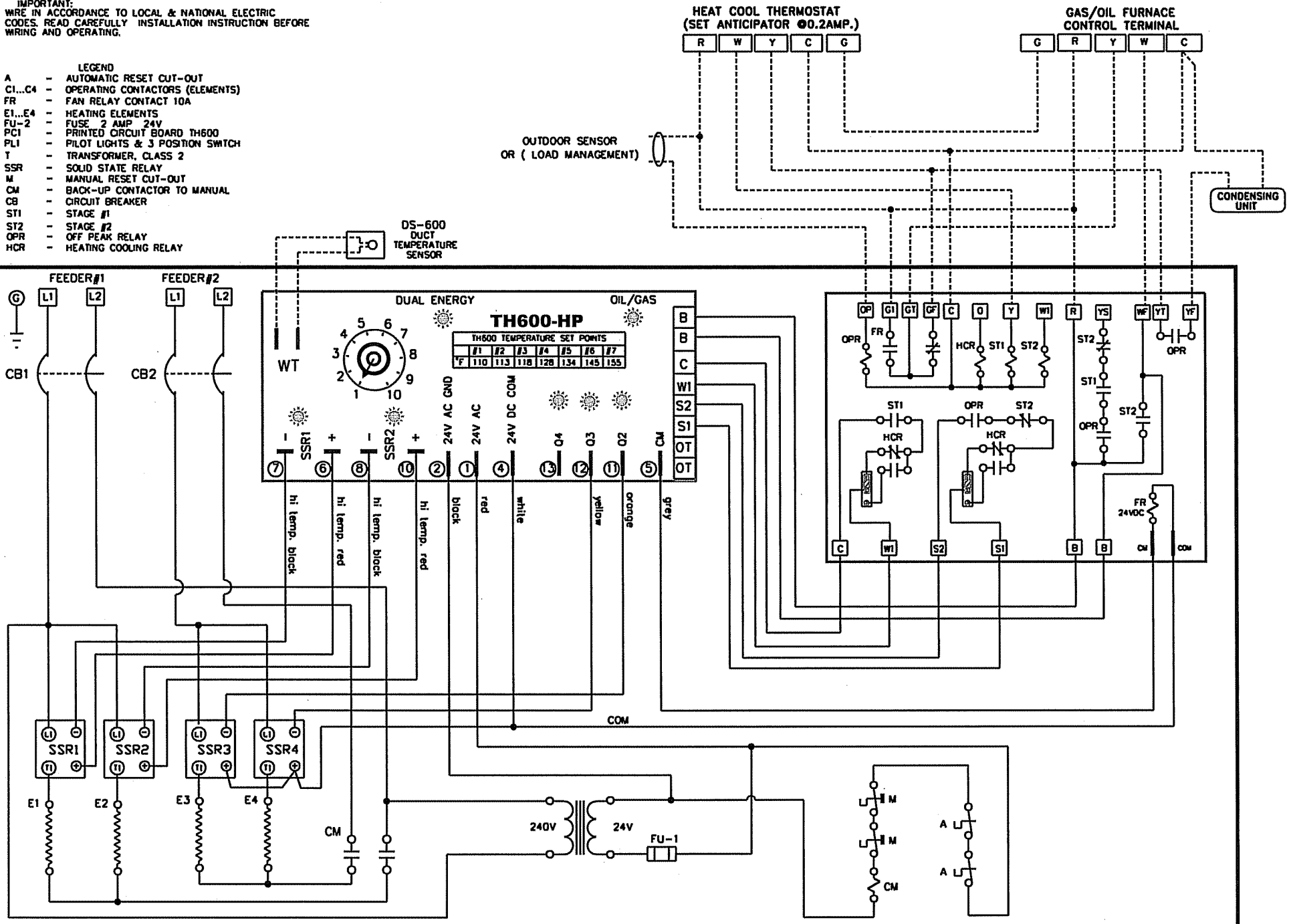
THERMOLEC LTEE LTD
MONTREAL - CANADA

DRAWING NO: TH-600 AC-T18-20-4SCR MODULATING US 1st DFC-STO

DATE	PER
22-05-08	

IMPORTANT:
WIRE IN ACCORDANCE TO LOCAL & NATIONAL ELECTRIC CODES. READ CAREFULLY INSTALLATION INSTRUCTION BEFORE WRING AND OPERATING.

- LEGEND**
- A - AUTOMATIC RESET CUT-OUT
 - CI...C4 - OPERATING CONTACTORS (ELEMENTS)
 - FR - FAN RELAY CONTACT 10A
 - E1...E4 - HEATING ELEMENTS
 - FU-2 - FUSE 2 AMP 24V
 - PC1 - PRINTED CIRCUIT BOARD TH600
 - PL1 - PILOT LIGHTS & 3 POSITION SWITCH
 - T - TRANSFORMER, CLASS 2
 - SSR - SOLID STATE RELAY
 - M - MANUAL RESET CUT-OUT
 - CM - BACK-UP CONTACTOR TO MANUAL CIRCUIT BREAKER
 - ST1 - STAGE #1
 - ST2 - STAGE #2
 - OPR - OFF PEAK RELAY
 - HCR - HEATING COOLING RELAY



TITLE/TITRE (VAR. SPEED)
Modulating Plenum Heater-AC (FURNACE)

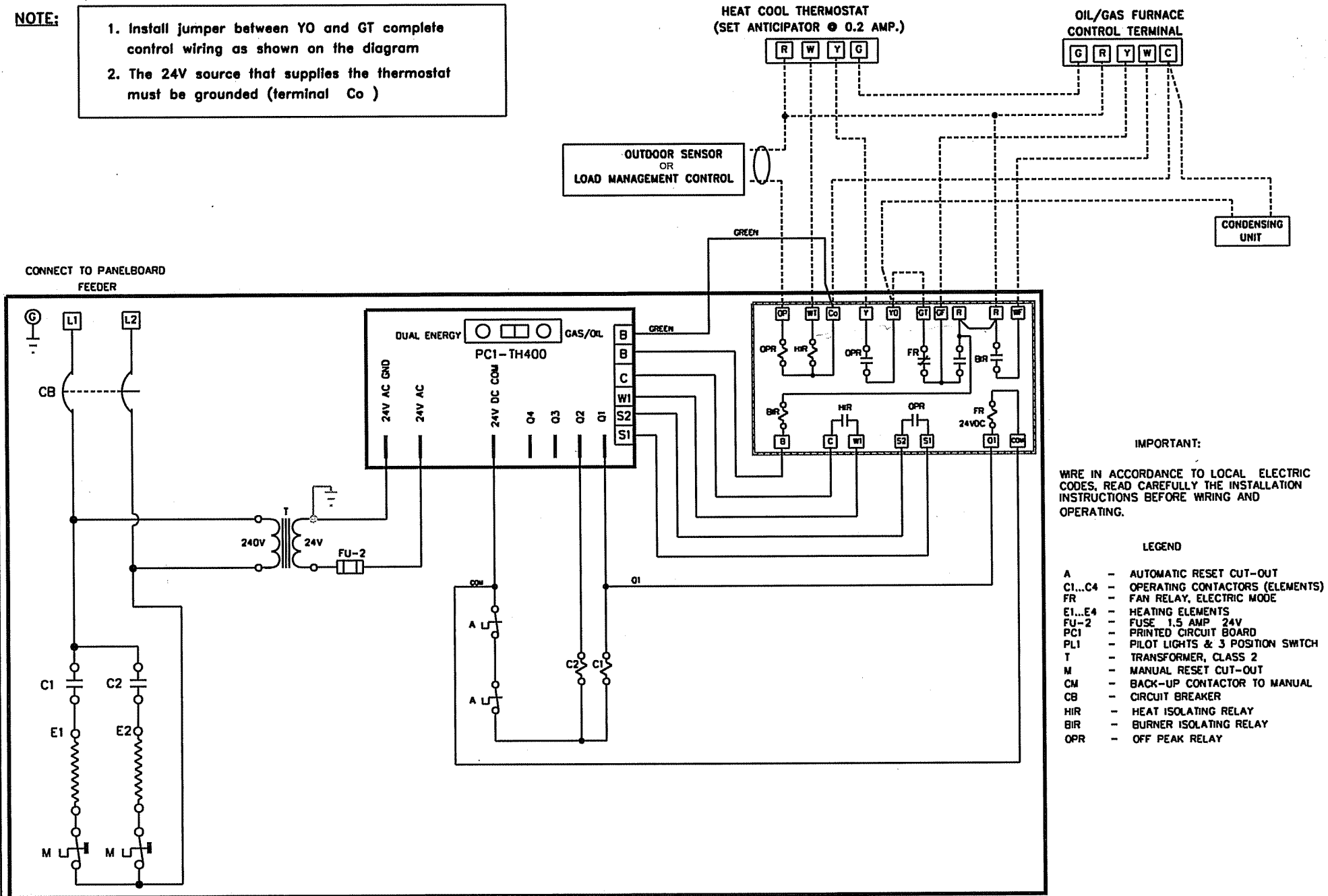
THERMOLEC LTEE LTD
MONTREAL - CANADA

DRAWING NO. TH-600 AC-T18-20-4SCR MODULATING US 1st DFC-VAR.

DATE 22-05-08	PER
------------------	-----

NOTE:

1. Install jumper between YO and GT complete control wiring as shown on the diagram
2. The 24V source that supplies the thermostat must be grounded (terminal Co)



IMPORTANT:
WIRE IN ACCORDANCE TO LOCAL ELECTRIC CODES, READ CAREFULLY THE INSTALLATION INSTRUCTIONS BEFORE WIRING AND OPERATING.

- LEGEND**
- A - AUTOMATIC RESET CUT-OUT
 - C1...C4 - OPERATING CONTACTORS (ELEMENTS)
 - FR - FAN RELAY, ELECTRIC MODE
 - E1...E4 - HEATING ELEMENTS
 - FU-2 - FUSE 1.5 AMP 24V
 - PC1 - PRINTED CIRCUIT BOARD
 - PL1 - PILOT LIGHTS & 3 POSITION SWITCH
 - T - TRANSFORMER, CLASS 2
 - M - MANUAL RESET CUT-OUT
 - CM - BACK-UP CONTACTOR TO MANUAL
 - CB - CIRCUIT BREAKER
 - HIR - HEAT ISOLATING RELAY
 - BIR - BURNER ISOLATING RELAY
 - OPR - OFF PEAK RELAY

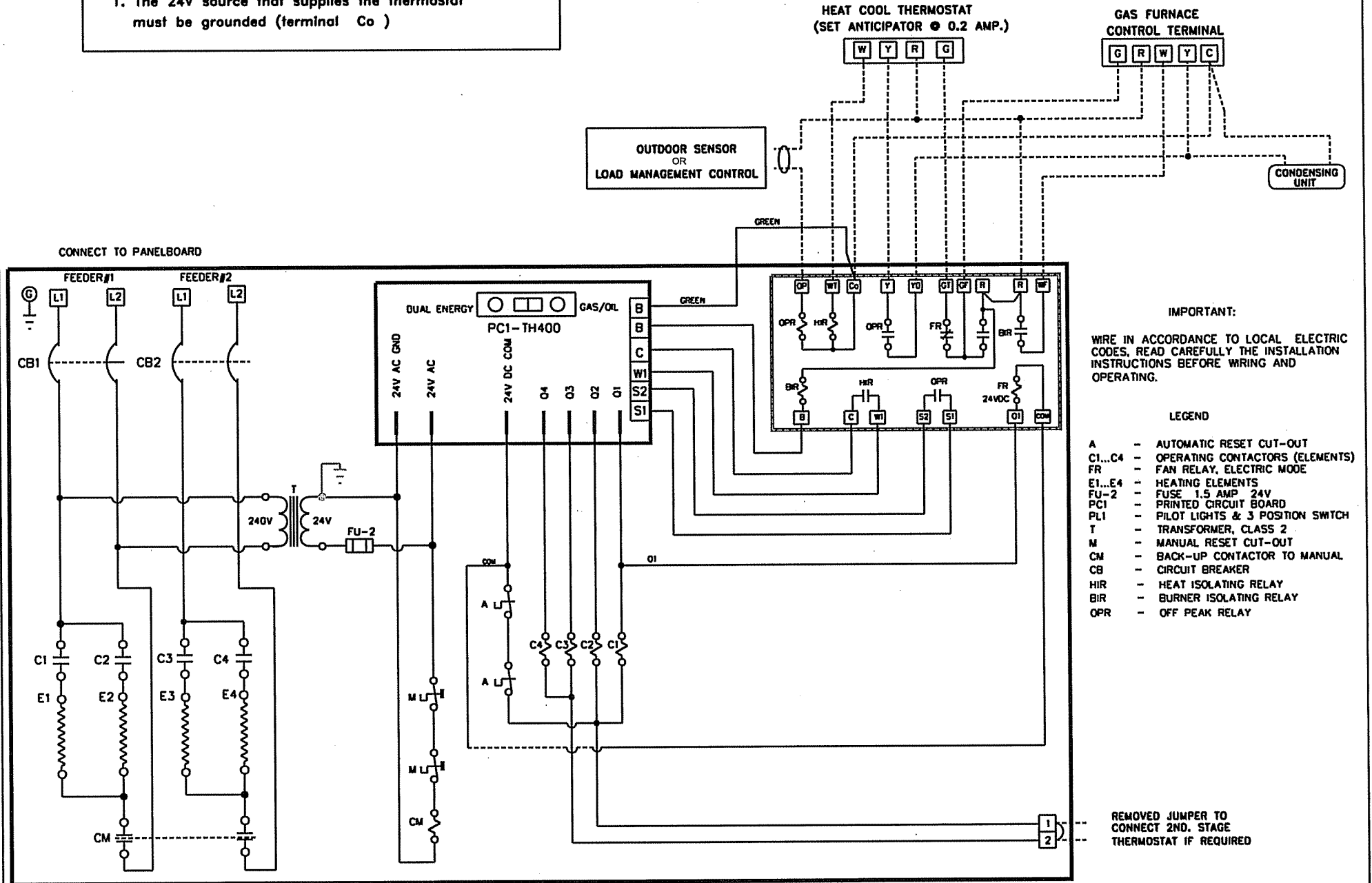
TITLE/TITRE
Standard Plenum Heater - Variable speed
Furnace

THERMOLEC LTEE LTD
MONTREAL - CANADA

DRAWING NO. BI-ENERGIE TH400-T6-T10-US(OPR) var. sp
DATE 22-05-08 PER

NOTE:

1. The 24V source that supplies the thermostat must be grounded (terminal Co)



TITLE/TITRE

Standard Plenum Heater - Standard Furnace



THERMOLEC LTEE LTD

MONTREAL - CANADA

DRAWING NO. BI-ENERGIE TH400-T15-T18-T20-US(OPR)CONT:

DATE

09-11-07

PER

REMOVED JUMPER TO
CONNECT 2ND. STAGE
THERMOSTAT IF REQUIRED

IMPORTANT:
WIRE IN ACCORDANCE TO LOCAL & NATIONAL ELECTRIC
CODES. READ CAREFULLY INSTALLATION INSTRUCTION BEFORE
WIRING AND OPERATING.

- LEGEND**
- A - AUTOMATIC RESET CUT-OUT
 - CI...C4 - OPERATING CONTACTORS (ELEMENTS)
 - FR - FAN RELAY CONTACT 10A
 - E1...E4 - HEATING ELEMENTS
 - FU-2 - FUSE 2 AMP 24V
 - PC1 - PRINTED CIRCUIT BOARD TH600
 - PL1 - PILOT LIGHTS & 3 POSITION SWITCH
 - T - TRANSFORMER, CLASS 2
 - SSR - SOLID STATE RELAY
 - M - MANUAL RESET CUT-OUT
 - CM - BACK-UP CONTACTOR TO MANUAL
 - CB - CIRCUIT BREAKER
 - ST1 - STAGE #1
 - ST2 - STAGE #2
 - OPR - OFF PEAK RELAY
 - HCR - HEATING COOLING RELAY

OUTDOOR SENSOR
OR (LOAD MANAGEMENT)

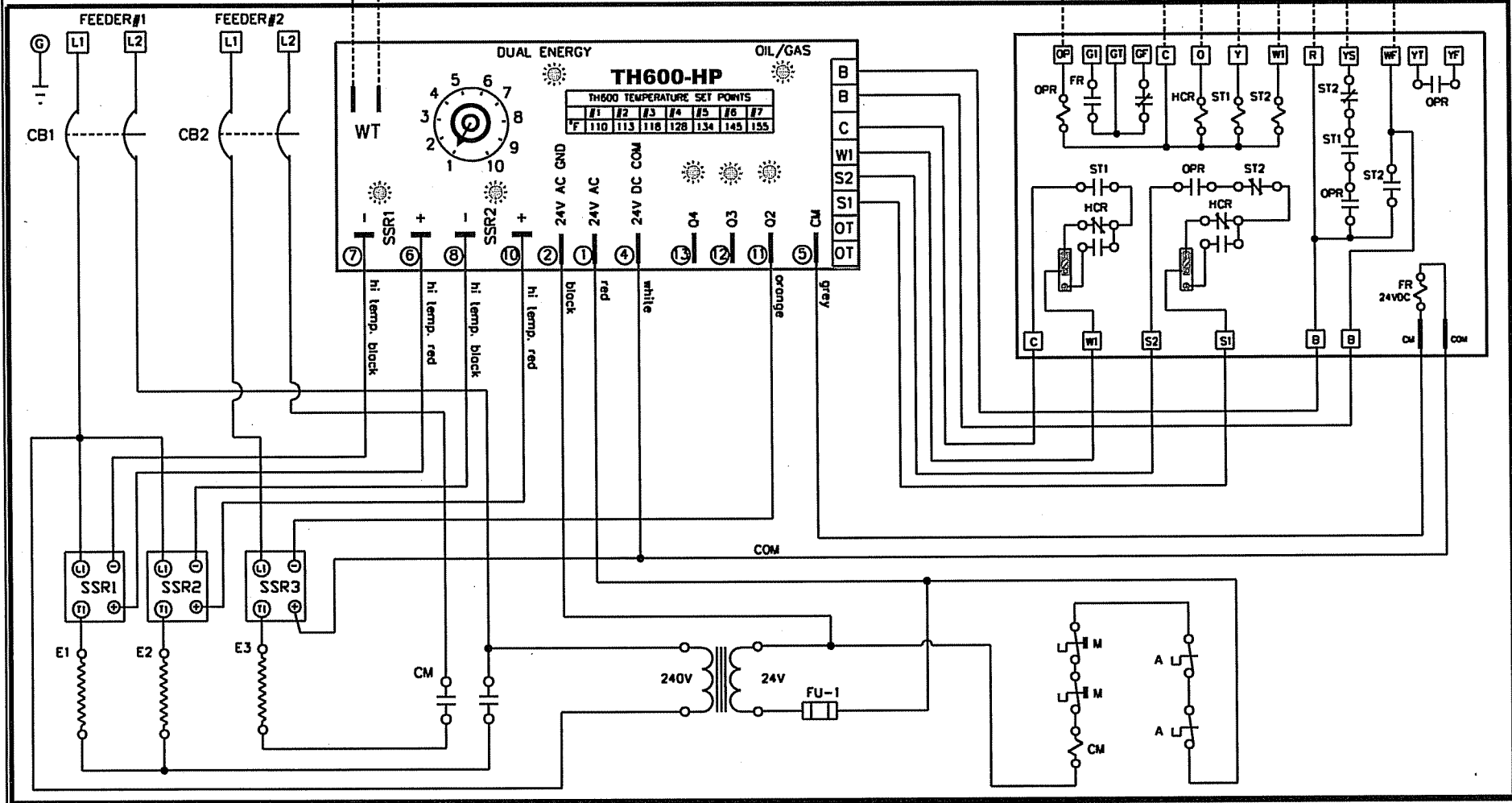
DS-600
DUCT
TEMPERATURE
SENSOR

HEAT PUMP THERMOSTAT
R C O Y E W2 G

FOSSIL FURNACE
CONTROL TERMINAL
G R W2 C

HEAT PUMP
CONTROL TERMINAL
R C O W2 Y

HEATPUMP
OUTDOOR
THERMOSTAT



TITLE/TITRE
Modulating Plenum Heater - Heat Pump
Standard Furnace



THERMOLEC LTD
MONTREAL - CANADA

LTEE
LTD

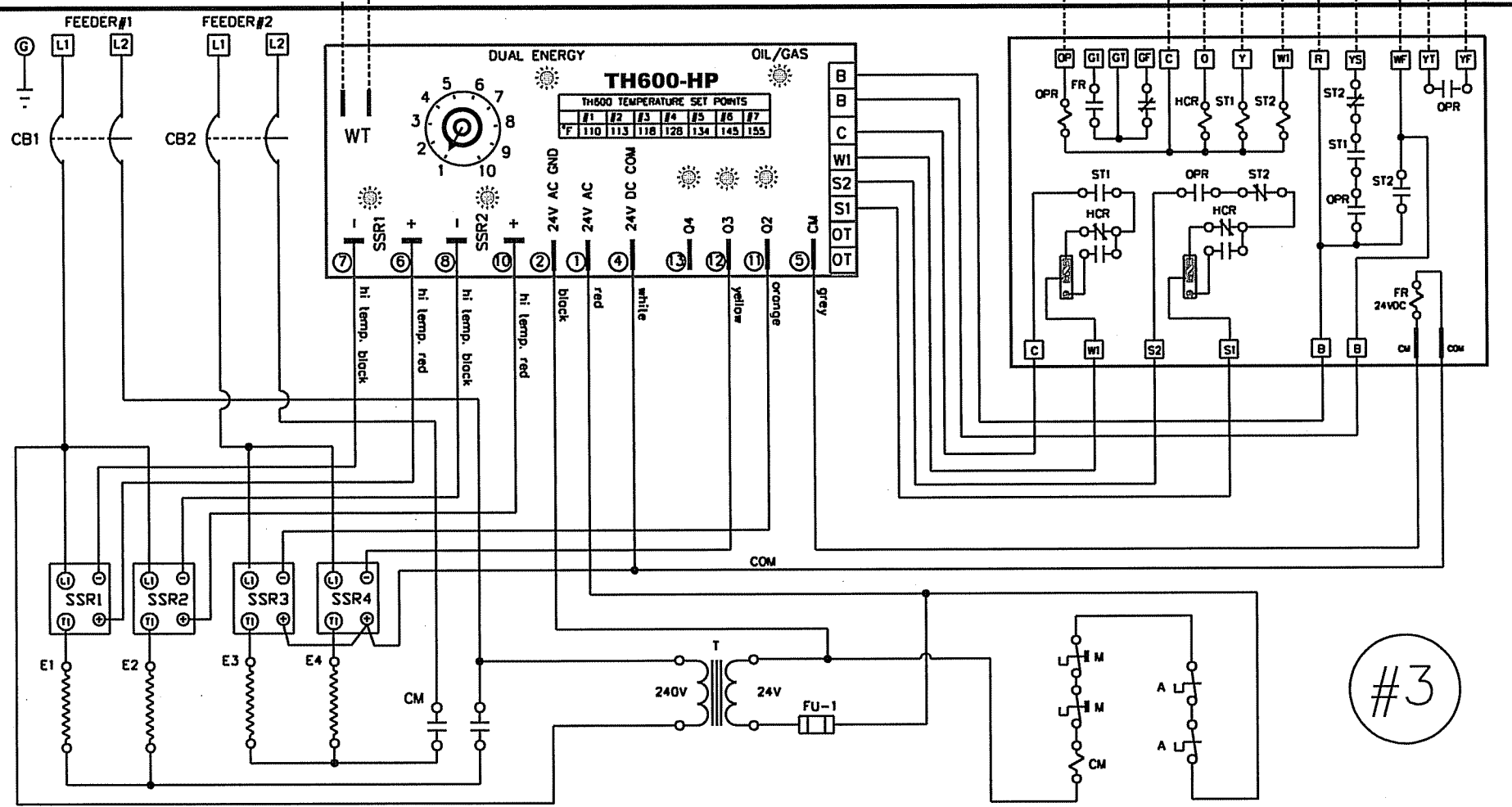
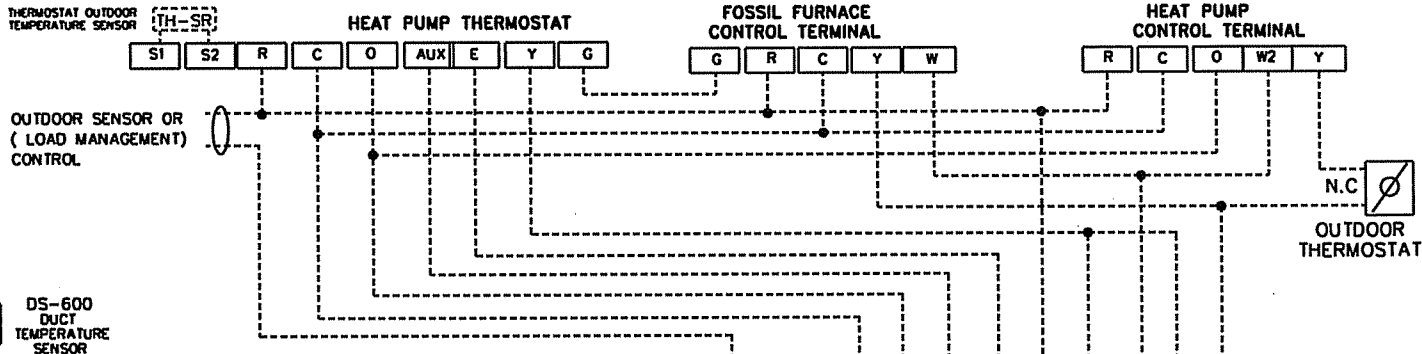
DRAWING NO. TH-600 HP-T15-3SCR MODULATING US 1st DFC

DATE	PER
16-11-07	

IMPORTANT:
WIRE IN ACCORDANCE TO LOCAL & NATIONAL ELECTRIC CODES. READ CAREFULLY INSTALLATION INSTRUCTION BEFORE WRING AND OPERATING.

VISON PRO 8000 WITH OUTDOOR SENSOR - VARIABLE SPEED FURNACE

- LEGEND**
- A - AUTOMATIC RESET CUT-OUT
 - CI...C4 - OPERATING CONTACTORS (ELEMENTS)
 - FR - FAN RELAY CONTACT 10A
 - E1...E4 - HEATING ELEMENTS
 - FU-2 - FUSE 2 AMP 24V
 - PCI - PRINTED CIRCUIT BOARD TH600
 - PL1 - PILOT LIGHTS & 3 POSITION SWITCH
 - T - TRANSFORMER, CLASS 2
 - SSR - SOLID STATE RELAY
 - M - MANUAL RESET CUT-OUT
 - CM - BACK-UP CONTACTOR TO MANUAL
 - CB - CIRCUIT BREAKER
 - ST1 - STAGE #1
 - ST2 - STAGE #2
 - OPR - OFF PEAK RELAY
 - HCR - HEATING COOLING RELAY



NOTE 2:
OUTDOOR THERMOSTAT SET AT SAME TEMPERATURE AS COMPRESSOR LOCKOUT.

TITLE/TITRE
Modulating Plenum Heater -HEAT PUMP

THERMOLEC LTEE LTD
MONTREAL - CANADA

DRAWING NO. TH-600 AC-T18-20-4SCR MODULATING US 1st DFC VAR.

DATE
21-05-08

PER

VISON PRO 8000 WITH OUTDOOR SENSOR - STANDARD FURNACE

IMPORTANT:
WIRE IN ACCORDANCE TO LOCAL & NATIONAL ELECTRIC CODES. READ CAREFULLY INSTALLATION INSTRUCTION BEFORE WIRING AND OPERATING.

- LEGEND**
- A - AUTOMATIC RESET CUT-OUT
 - C1...C4 - OPERATING CONTACTORS (ELEMENTS)
 - FR - FAN RELAY CONTACT 10A
 - E1...E4 - HEATING ELEMENTS
 - FU-2 - FUSE 2 AMP 24V
 - PCB - PRINTED CIRCUIT BOARD TH600
 - PL1 - PILOT LIGHTS & 3 POSITION SWITCH
 - T - TRANSFORMER, CLASS 2
 - SSR - SOLID STATE RELAY
 - M - MANUAL RESET CUT-OUT
 - CM - BACK-UP CONTACTOR TO MANUAL
 - CB - CIRCUIT BREAKER
 - ST1 - STAGE #1
 - ST2 - STAGE #2
 - OPR - OFF PEAK RELAY
 - HCR - HEATING COOLING RELAY

1TH-SR
THERMOSTAT OUTDOOR TEMPERATURE SENSOR

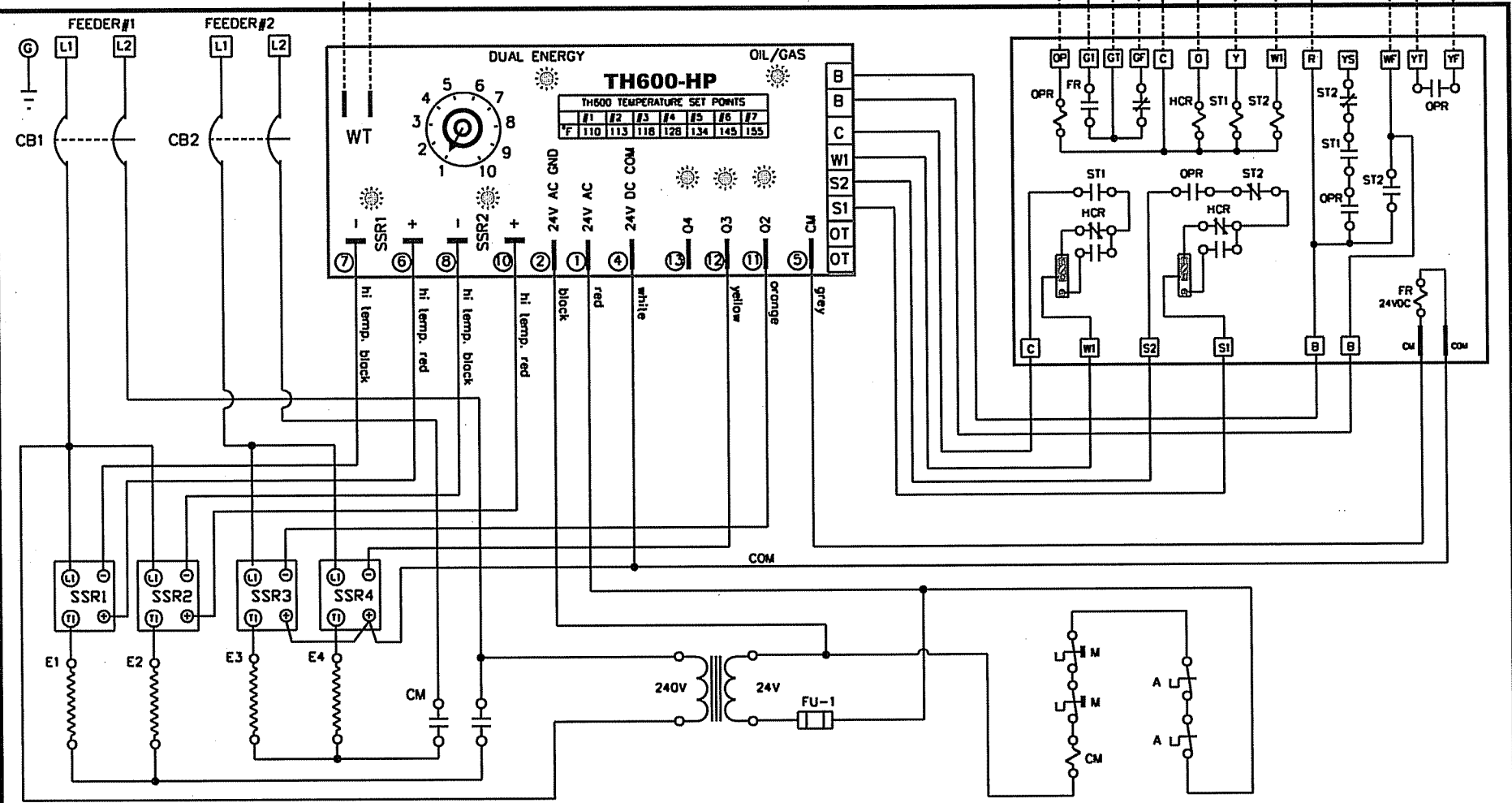
HEAT PUMP THERMOSTAT

FOSSIL FURNACE CONTROL TERMINAL

HEAT PUMP CONTROL TERMINAL

OUTDOOR SENSOR OR (LOAD MANAGEMENT) CONTROL

DS-600 DUCT TEMPERATURE SENSOR



TITLE/TITRE
Modulating Plenum Heater - Heat Pump

THERMOLEC LTEE LTD
MONTREAL - CANADA

DRAWING NO. TH-600 HP-T18-20-4SCR MODULATING US 1st DFC
DATE: 22-05-08
PER:

IMPORTANT:
WIRE IN ACCORDANCE TO LOCAL & NATIONAL ELECTRIC CODES. READ CAREFULLY INSTALLATION INSTRUCTION BEFORE WIRING AND OPERATING.

VISION PRO 8000 NO OUTDOOR SENSOR - STANDARD FURNACE

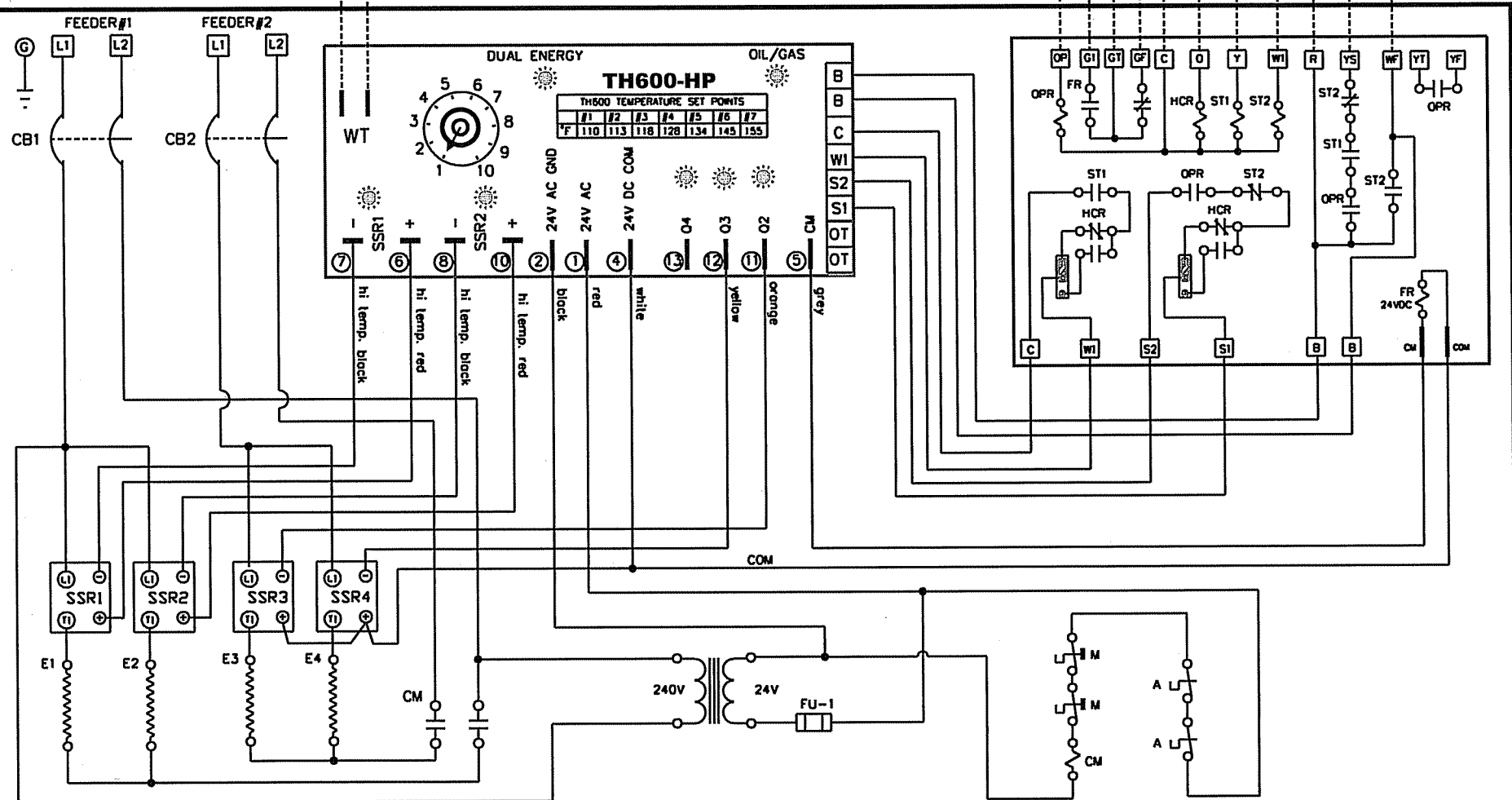
- LEGEND**
- A - AUTOMATIC RESET CUT-OUT
 - C1...C4 - OPERATING CONTACTORS (ELEMENTS)
 - FR - FAN RELAY CONTACT 10A
 - E1...E4 - HEATING ELEMENTS
 - FU-2 - FUSE 2 AMP 24V
 - PC1 - PRINTED CIRCUIT BOARD TH600
 - PL1 - PILOT LIGHTS & 3 POSITION SWITCH
 - T - TRANSFORMER, CLASS 2
 - SSR - SOLID STATE RELAY
 - M - MANUAL RESET CUT-OUT
 - CM - BACK-UP CONTACTOR TO MANUAL
 - CB - CIRCUIT BREAKER
 - ST1 - STAGE #1
 - ST2 - STAGE #2
 - OPR - OFF PEAK RELAY
 - HCR - HEATING COOLING RELAY

OUTDOOR SENSOR
OR (LOAD MANAGEMENT)
CONTROL

DS-600
DUCT
TEMPERATURE
SENSOR



OUTDOOR
THERMOSTAT



#5

TITLE/TITRE
Modulating Plenum Heater - Heat Pump

THERMOLEC LTD
MONTREAL - CANADA

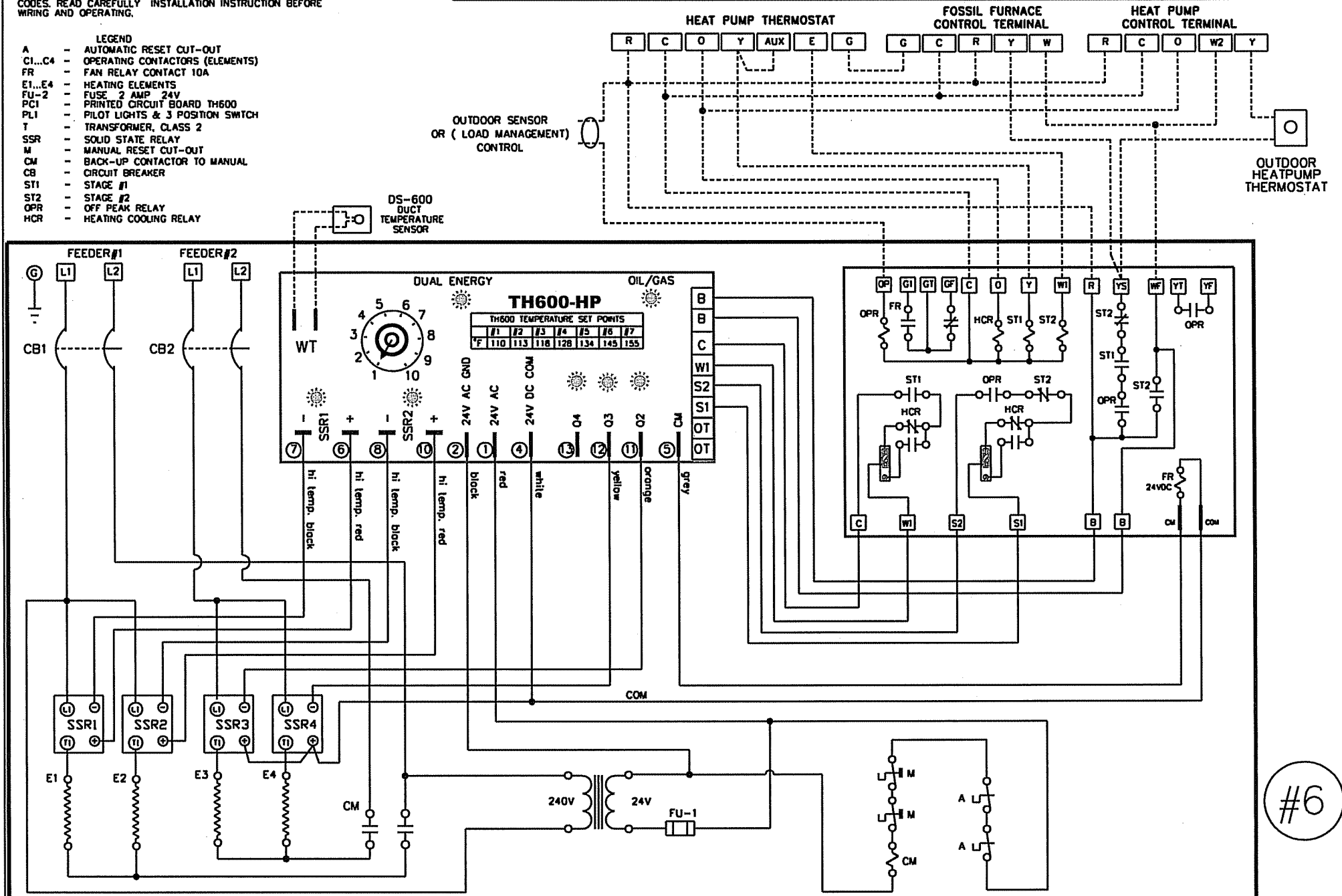
DRAWING NO. TH-600HP-T18-20-4SCR MODULATING US 1st DFC STD FUR

DATE	PER
22-05-08	

IMPORTANT:
WIRE IN ACCORDANCE TO LOCAL & NATIONAL ELECTRIC CODES. READ CAREFULLY INSTALLATION INSTRUCTION BEFORE WIRING AND OPERATING.

- LEGEND**
- A - AUTOMATIC RESET CUT-OUT
 - CI...C4 - OPERATING CONTACTORS (ELEMENTS)
 - FR - FAN RELAY CONTACT 10A
 - E1...E4 - HEATING ELEMENTS
 - FU-2 - FUSE 2 AMP 24V
 - PC1 - PRINTED CIRCUIT BOARD TH600
 - PL1 - PILOT LIGHTS & 3 POSITION SWITCH
 - T - TRANSFORMER, CLASS 2
 - SSR - SOLID STATE RELAY
 - M - MANUAL RESET CUT-OUT
 - CM - BACK-UP CONTACTOR TO MANUAL
 - CB - CIRCUIT BREAKER
 - ST1 - STAGE #1
 - ST2 - STAGE #2
 - OPR - OFF PEAK RELAY
 - HCR - HEATING COOLING RELAY

VISION PRO 8000 NO OUTDOOR SENSOR - VARIABLE SPEED FURNACE



#6

TITLE/TITRE

Modulating Plenum Heater - Heat Pump

THERMOLEC LTEE LTD
MONTREAL - CANADA

DRAWING NO. TH-600 HP-T18-20-4SCR MODULATING US 1st DFC

DATE
22-05-08

PER