

HPX MODULATING PLENUM HEATER

**ADVANCED
TECHNOLOGY IN
ELECTRIC HEAT**



- *Ideal for all residential forced air heat pump applications*
- *Maximizes energy savings offered by utility's dual fuel programs*
- *Significantly increases heat pump BTU contribution during heating season*
- *Self-adjusting BTU output for maximum heating efficiency*
- *Reduces dependence on expensive LP gas and fuel oil*

The Next Generation of Dual Fuel Heating Systems

The HPX Modulating Plenum Heater (PH) from Thermolec is advanced technology ideal for dual-fuel/hybrid HVAC systems. Hybrid systems with an HPX PH provide up to a 50% savings on annual heating costs compared to conventional forced air heating systems.

HPX PH's maximize an air source heat pump's (HP) efficiency and savings by utilizing the HP's low cost BTU output. The HPX PH works with any air source HP and/or any brand/type of fossil fuel back-up forced air furnace.

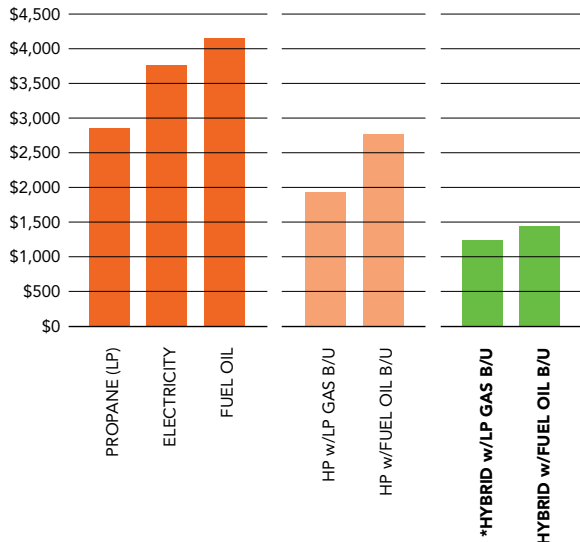


HPX Modulating Plenum Heater

Maximizes Savings

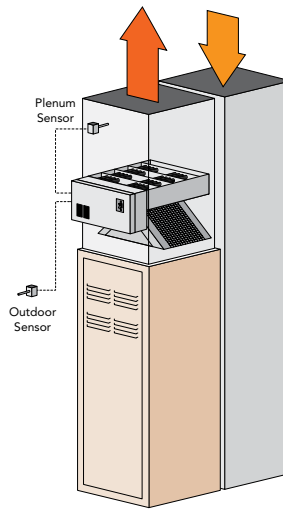
Hybrid HVAC systems can save over 50% in annual heating costs compared to high-efficiency LP or fuel oil furnaces. In a hybrid system, the HPX modulating plenum heater supplements the heat pump BTUs to provide low cost heat at outdoor temperatures down to 0°F and colder.

ANNUAL HEATING COST COMPARISON



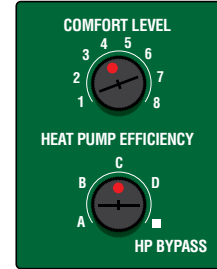
* HYBRID = HPX Modulating Plenum Heater + Air Source Heat Pump + Backup Fossil Fuel Furnace

Typical Installation

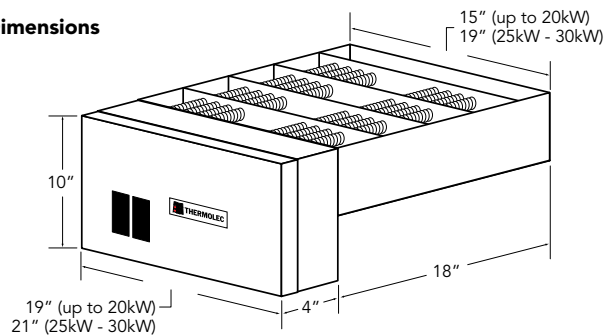


Precise Comfort/Efficiency Adjustment

The Thermolec System Controller allows you to manage the comfort and efficiency of your duel fuel heating system. Higher comfort levels are maintained by increasing the BTU output levels from the HPX modulating plenum heater in conjunction with the HP.



Dimensions



One Model for All Applications

- Multi-purpose control module requires no additional interface or fossil fuel kits
- Works with all brands/types of thermostats including 4-wire models with HP
- Works with all brands/models of HP's and gas/oil furnaces
- Same model for up-flow and down-flow applications
- Standard models in 5 through 30 kW with custom sizes available

HPX Modulating Plenum Heater Applications

- Duel Fuel / Hybrid
- Air Source Heat Pump
- Geothermal Heat Pump
- Zoned Forced Air Systems

MODEL	kW @ 240v	BTU OUTPUT	HEATING SEQUENCES	TOTAL AMPERAGE	BREAKER (AMP)
T-5 U-MOD-HPX	5	17,060	1	20.8	30
T-10 U-MOD-HPX	10	34,120	2	41.6	60
T-15 U-MOD-HPX	15	51,180	3	62.5	1 x 60 1 x 30
T-18 U-MOD-HPX	18	61,416	4	75.0	2 x 50
T-20 U-MOD-HPX	20	68,240	4	83.3	2 x 60
* T-25 U-MOD-HPX	25	85,300	5	104.0	2 x 60 1 x 30
* T-30 U-MOD-HPX	30	102,360	5	124.0	2 x 60 1 x 40

* Large frame size. Note: custom sizes and voltages available.

Distributed By:



THERMOLEC

2060 Lucien-Thimens
Montreal, Quebec, Canada
H4R 1L1

Tel.: 514-336-9130 Fax.: 514-336-3270

Web Site: www.thermolec.com
Email: sales@thermolec.com

