

# Air Bear® Cub

Media Whole-House Air Cleaners



## PRODUCT DATA SHEET



### Performance:

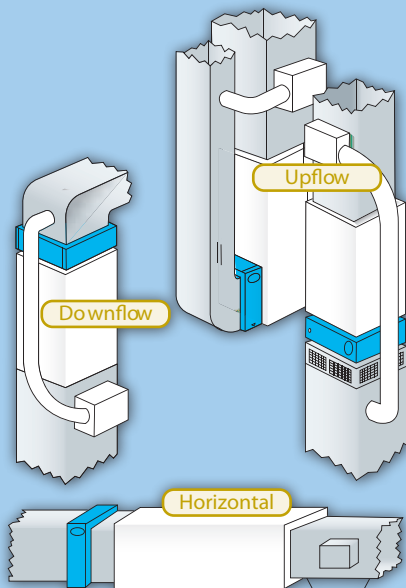
- Rated airflow up to 1200 CFM.
- Non-woven, 3" thick, pleated Air Bear® media filter traps particles as small as 1 micron.
- Tested using ANSI/ASHRAE 52.2 - 2007 standard procedures.
- Efficiency rating of MERV 8 or MERV 11.

### Features:

- Quick and easy installation.
- Air Bear® filters capture and hold pollutants inside the filter, allowing air to flow freely through the system.
- Mechanical MERV 8 filter maintains efficiency under all operating conditions.
- Highly-efficient MERV 11 filter, electrostatically-charged synthetic material, provides superior efficiency with minimal added pressure drop.
- Narrow Profile: Fits in tight spaces.
- Mounts directly to heating and cooling systems.
- Suitable for use with all types of central forced-air configurations.
- Rugged cabinet construction for long life.

### Warranty:

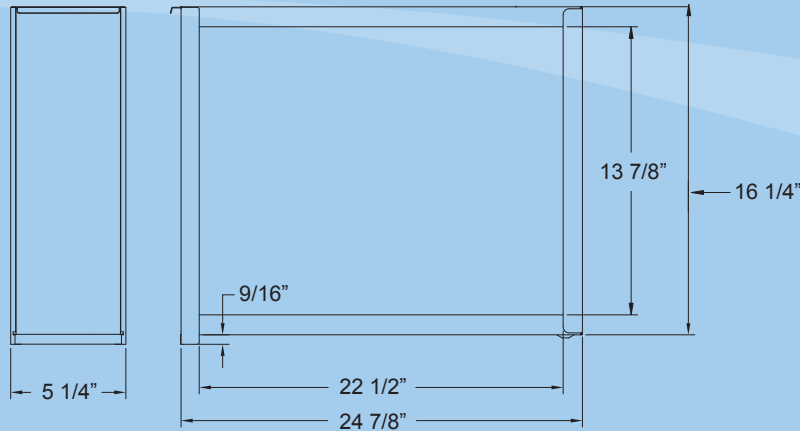
- Lifetime limited warranty on cabinet.



Another True Member of  
the Air Bear® Family

**PRODUCT DATA SHEET**

**Air Bear<sup>®</sup> Cub Dimensions**



Model	Air Bear <sup>®</sup> Cub	
	MERV 8	MERV 11
Part No.	455602-425	455602-925
Media Part No. (6 Pack)	255649-101	259112-101
Rated Airflow	1200 CFM	
Media Size	3" D x 15 3/4" H x 24 1/4" W	
Media Type	100% Synthetic Disposable / Factory Assembled	
Media Listing	UL Classified (See complete marking on product.)	
Shipping Weight	12 lbs	
Cabinet Finish	Powder-Coated Paint Finish	
Universal Application	Right/Left-Hand Installation	
Optional Accessories	Pre-Filter	
	Charcoal After-Filter	
Resistance (Inch W.G.)		
CFM	MERV 8	MERV 11
600	0.08	0.09
800	0.12	0.14
1000	0.16	0.19
1200	0.22	0.26

*Air Bear<sup>®</sup> Air Filters have been tested using ANSI/ASHRAE 52.2-2007 standard test procedures.*

Indoor Air Quality Since 1947.

ISO 9001:2008 Certified.

Industry Memberships:



**Proudly Designed,  
Engineered, and  
Manufactured in the USA.\***



*\*Manufactured with domestic and foreign components.*

**To help serve you better,  
please contact us at:**

800-884-0002 (tel)  
800-458-2379 (fax)

**TRION<sup>®</sup>**  
101 McNeill Road  
Sanford, NC 27330  
**www.trioniaq.com**  
customerservice@trioniaq.com

TRION<sup>®</sup> is a registered trademark of Air System Components, Inc. Air System Components, Inc. is a subsidiary of Johnson Controls Inc. All product specifications reflect available information at the printing of this brochure. TRION<sup>®</sup> reserves the right to revise or modify products and/or specifications without notice. © 2015 TRION<sup>®</sup>