

Air Bear® Right Angle Media Whole-House Air Cleaners



PRODUCT DATA SHEET



Performance:

The Air Bear® Air Cleaner uses a combination of four filtering principles including impingement, interception, diffusion and straining. Its high performance, nonwoven, reinforced media captures a wide range of airborne particulate matter. Most pleated air filters capture pollutants primarily by surface loading. This can restrict airflow through your comfort system and result in higher heating and cooling costs.

The Air Bear® Air Cleaner grasps contaminants much like a sponge. Its radial pleating and state of the art fiber design provides maximum dust holding capacity.

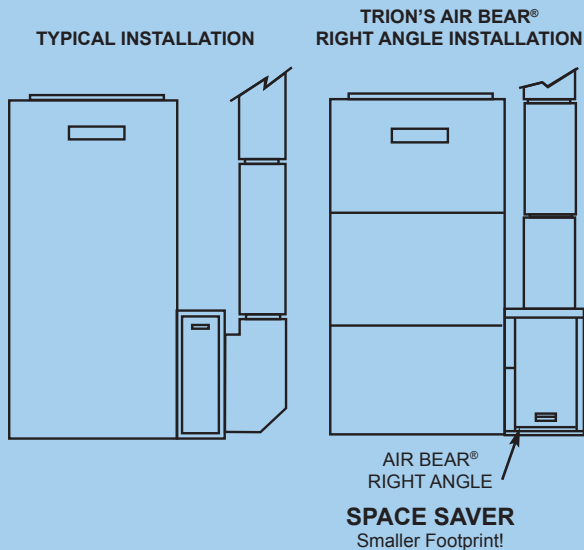
- Rated airflow of up to 2000 CFM.
- Non-woven, 5" thick, pleated Air Bear® media filter traps particles as small as 1 micron.
- Tested in accordance with ANSI/ASHRAE 52.2-2007.
- Efficiency rating of MERV 8 or MERV 11.

Features:

- Quick and easy installation.
- Air Bear® filters capture and hold pollutants inside the filter, allowing air to flow freely through the system.
- Mechanical MERV 8 filter maintains efficiency under all operating conditions.
- High efficiency MERV 11 filter, electrostatically-charged synthetic material, provides superior efficiency with minimal added pressure drop.
- Designed for installations that require a 90° duct adapter.
- Mounts directly to heating and cooling systems.
- Suitable for use with all types of central forced-air configurations.
- Space-saving design is ideal for basement applications.
- Rugged cabinet construction for long life.

Warranty:

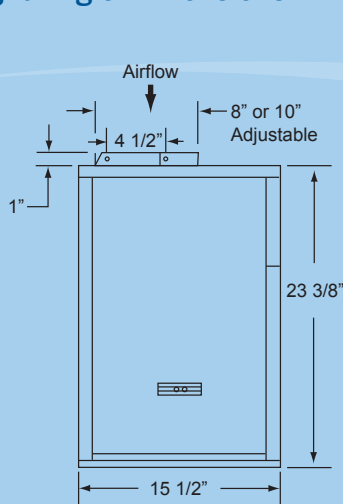
- Lifetime limited warranty on cabinet.



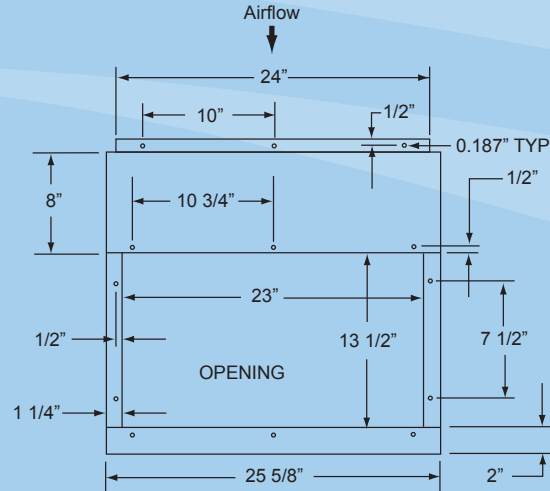
Another True Member of
the Air Bear® Family

PRODUCT DATA SHEET

Air Bear® Right Angle Dimensions



Door Side / Side View



Rear Side / Air Handler Side



Air Bear® Right Angle				
Model	Supreme		Supreme-HD	
Shipping Weight	24 lbs		35 lbs	
Unit Part Number (white)	447380-010	447380-510	266380-010	266380-510
Unit Part Number (grey)	447380-011	447380-511	266380-011	266380-511
MERV Rating	8	11	8	11
Filter Media Type	Polyester	Polyolefin	Polyester	Polyolefin
Filter Part Number (3-Pack)	255649 -102	259112-102	255649 -102	259112-102
Filter Size (Inches)	5" D x 20" H x 24 1/2" W			
Filter Construction	Radial Multi-Pleat and Omnidirectional Fiber			
Media Listing	UL Class 900			
Rated Airflow	Up to 2000 CFM			
Outside Unit Dimensions	25 5/8"D x 24 3/8 " H x 15 1/2" W			
Adjustable Duct Opening	24" x 8" or 24" x 10"			
Furnace Opening	23" X 13 1/2"			
Cabinet Finish	Powder-Coated Paint Finish (White or Grey)			
Universal Application	Right or Left-Hand Installation			

Indoor Air Quality Since 1947.

ISO 9001:2008 Certified.

Industry Memberships:



Proudly Designed,
Engineered, and
Manufactured in the USA.*



*Manufactured with domestic and foreign components.

To help serve you better,
please contact us at:

800-884-0002 (tel)
800-458-2379 (fax)

TRION®
101 McNeill Road
Sanford, NC 27330
www.trioniaq.com
customerservice@trioniaq.com

TRION® is a registered trademark of Air System Components, Inc. Air System Components, Inc. is a subsidiary of Johnson Controls Inc. All product specifications reflect available information at the printing of this brochure. TRION® reserves the right to revise or modify products and/or specifications without notice. © 2015 TRION®