



PRF - Radon Mitigation Fan



PRF-100



PRF-150

PRF Specifications:

- Duct lips sized for easy fit of Fernco couplings typically used in radon mitigation applications
- Fully sealed, high quality plastic housing
- Large, easily accessible, watertight electrical box for unobstructed wiring process.
- Easily mount on duct pipe or use included, heavy-duty metal mounting bracket
- Thermal overload protection
- HVI Certified Performance (pending)
- cETLus certified
- 5-year warranty



PRF-100

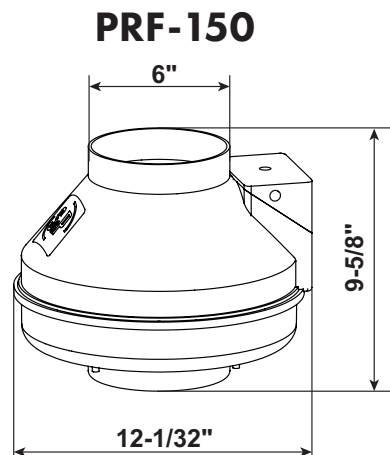
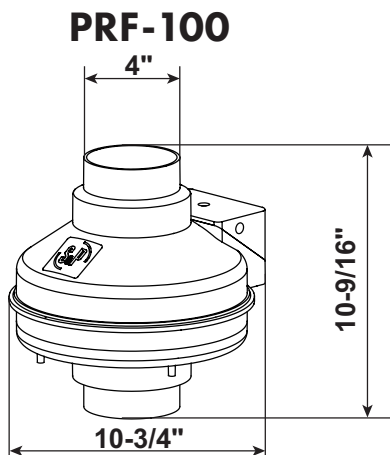


PRF-150

PRF Performance

| Model | Size | Electrical | Power (W) | Current (A) | CFM @ SP | | | | RPM |
|---------|------|------------|-----------|-------------|----------|-----|-----|-----|------|
| | | | | | 0 | 0.2 | 0.5 | 1 | |
| PRF-100 | 4" | 1/60/120V | 91 | 0.77 | 167 | 150 | 124 | 80 | 3081 |
| PRF-150 | 6" | 1/60/120V | 135 | 1.15 | 319 | 290 | 253 | 198 | 2891 |

Dimensions



PRF Price

| Duct Size | PRF Series | |
|-----------|------------|------------|
| | Model | List Price |
| 4" | PRF-100 | \$168 |
| 6" | PRF-150 | \$190 |