

HOME OWNERS GUIDE

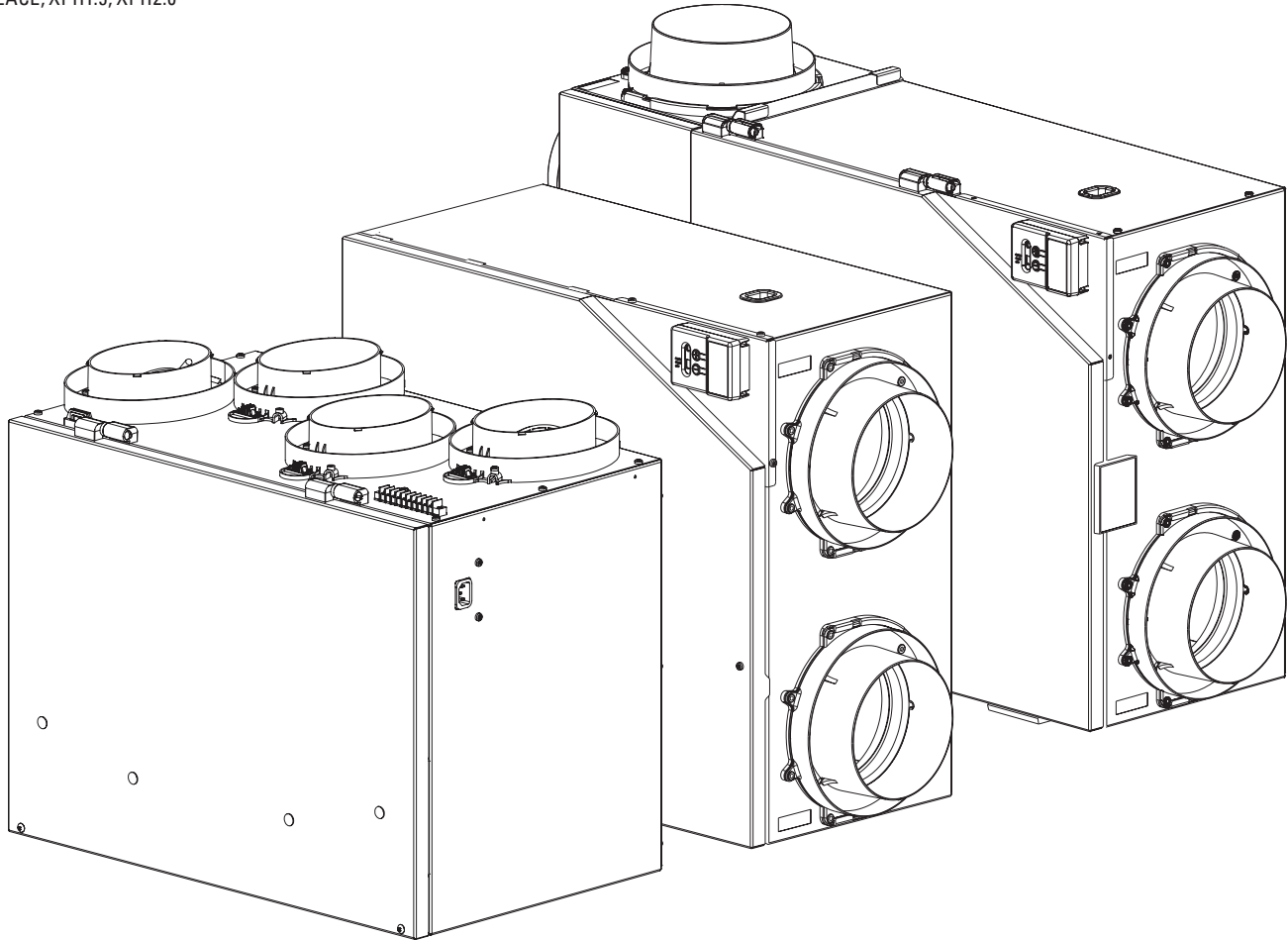
RESIDENTIAL USE ONLY

HRV MODEL

PH 7.15, RNC1.5
PH 10.22, RNC2.0, RNC2.0ES
XDH 7.15 HRV
C3.14, RNC1.0, RNC12
SS 3.80
SOLACE, XPH1.5, XPH2.0

ERV MODEL

PE 7.15
PE 10.22
SS 3.80



Product of **Greentek**

Greentek reserves the rights to modify a product, without prior notice, whether in price, design, color or codes, in order to offer at all times quality products that are highly competitive.

Greentek

50 Kanalfakt Way, Bouctouche, NB E4S 3M5
1-888-724-5211 Fax 1-866-426-7430
www.Greentek.ca

IMPORTANT - PLEASE READ MANUAL BEFORE INSTALLATION

CAUTION: Do not install in a cooking area or connect directly to any appliance. Turn off all integral disconnects before servicing.

NOTICE: Prior to installing, serious consideration must be taken to insure this ventilation system will operate properly if integrated to any other type of mechanical system, i.e. a forced air system, or an air handling unit. To insure proper operation & compatibilities of both system, it is required that the airflow's of the Heat Recovery Ventilator (HRV) or Energy Recovery Ventilator (ERV) be balanced, by following the procedures found in this manual.

The way that your Heat/Energy-recovery ventilator is installed may make a significant difference to the electrical energy that you will use. To minimize the electricity use of the Heat/Energy-recovery ventilator, a stand-alone fully ducted installation is recommended. If you choose a simplified installation that operates your furnace airhandler for room-to-room ventilation, an electrically efficient furnace that has an electronically commutated (EC) variable speed blower motor will minimize your electrical energy consumption and operating cost.

LIMITATIONS: The product is for residential applications only. Must be installed in accordance with all national and local regulations, building and safety codes.



TO REDUCE OR AVOID THE HAZARDS OF ELECTRIC SHOCK AND FIRE: CAUTIONS CONCERNING THE OPERATION AND FULL EFFICIENCY OF THIS PRODUCT:

- Before servicing or cleaning the HRV system, always remove the power cord from the AC wall outlet.
- To reduce the hazards of electric shock or fire, do not perform any service to the HRV system other than those stated in the operating manual instructions.
- To reduce the risk of electric shock, this ventilation system (HRV/ERV) comes equipped with a 3-prong plug-in. This plug will fit in a polarized outlet only one way.
- Do not use ventilation system for outdoor application.
- Do not pull or twist power cord when disconnecting it from the ventilation system. Grasp the plug firmly, not the cord.
- Do not modify the power plug in any way; if modified, risk of electric shock fire or even damage to the unit may occur.
- Do not use the ventilation system for removal of flammable fumes, gases or connect directly to any appliances.
- Use a dedicated AC 120V outlet only.
- Do not obstruct or cover the air intake or air outlet of the ventilation system.
- Do not modify, repair or disassemble this system. These tasks are to be performed by authorized serviced personnel only. Fire, electrical shock and/or bodily injury may occur if these warnings are not followed.
- To prevent injuries, do not operate the ventilation system, while servicing or maintaining. There are impeller wheels turning at a very high speed that must fully stop rotating prior to accessing the inside of the unit.
- Always assess the operation of the ventilation system on how it may interact with vented combustion equipment (ie. Gas Furnace, Oil Furnace, Combustion, Appliances, etc.)
- Do not use for swimming pool/spa applications.

CONTENTS

SECTION	PAGE
1. Operations & Main Fonctions.3
2. Types of Installations3
3. Description of your Ventilation System.4
4. Operation of the Duotrol™ System5
5. Operation of your Wall Controls6-11
6. Troubleshooting.	12
7. Maintenance.	12
8. Warranty.	13

1. OPERATION & MAIN FUNCTIONS

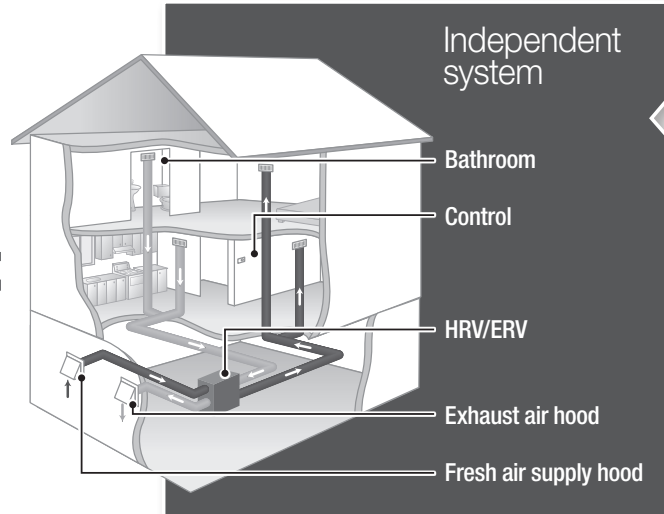
Your ventilation system has been engineered & designed to improve your indoor air quality by reducing during the winter time, excess humidity or other contaminants in your home and replacing this air by fresh filtered air from the outdoors. During colder seasons, the units heat recovery core (polypropylene core) will reclaim the heat from the outgoing stale air and use this heat to temper the incoming fresh air, which reduces the cost of effectively ventilating your home during winter.

NOTE: Reverse process occurs in the summer months.

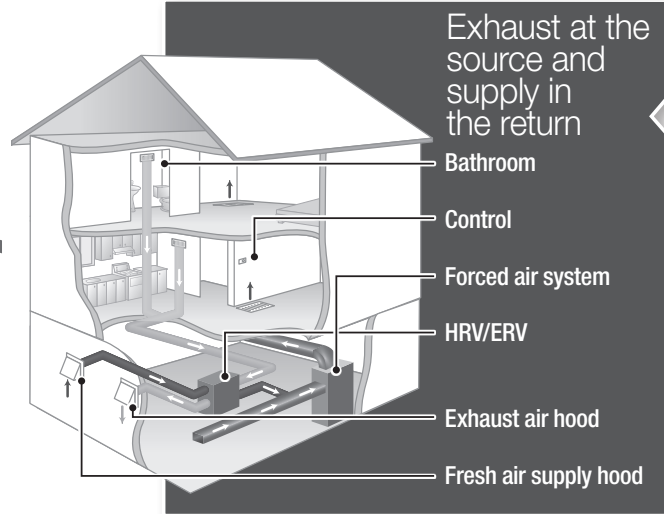
2. TYPES OF INSTALLATIONS

- Fresh air
- Exhaust air

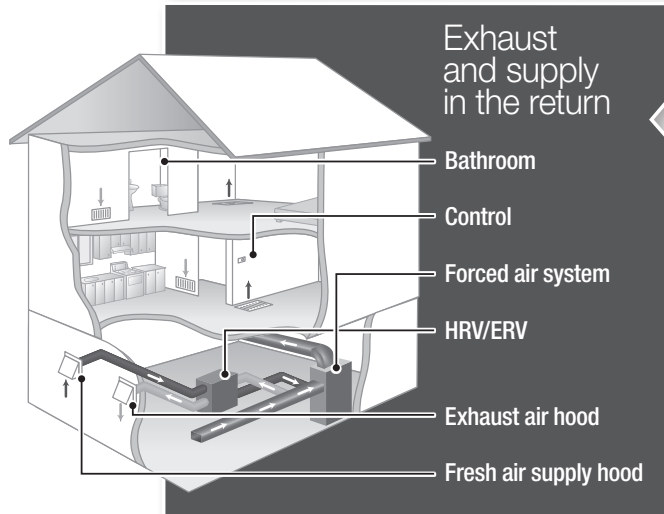
Best



Better



Good

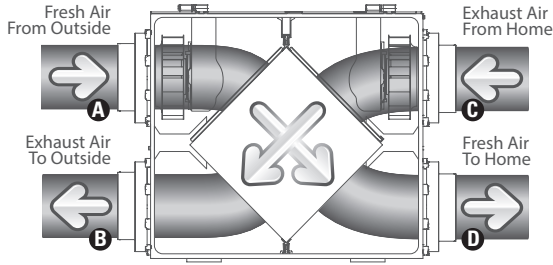


3. DESCRIPTION

VENTILATION SYSTEM

PH, PE, Solace, XPH1.5, XPH2.0, RNC1.5, RNC2.0 & RNC2.0ES

Side View

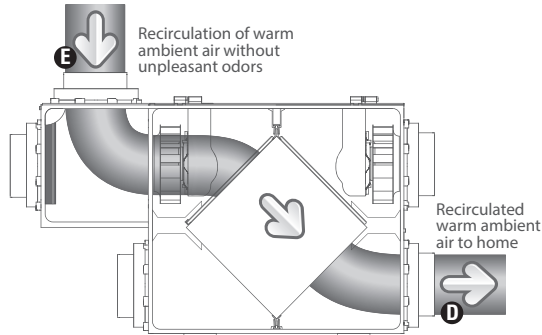


VENTILATION SYSTEM WITH RECIRCULATION MODE

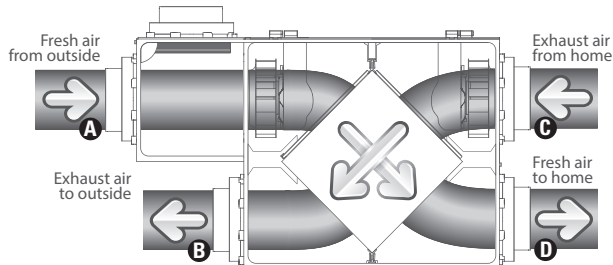
MODEL XDH

Side View

Advanced Defrost Sequence / Recirculating Mode

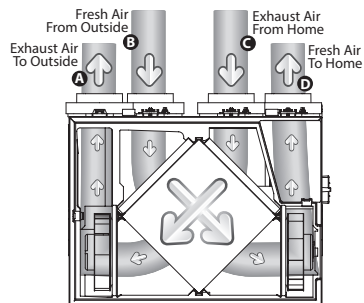


Continuous Ventilation Mode

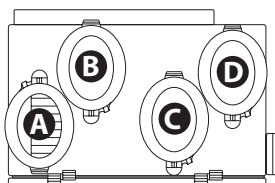


COMPACT VENTILATION SYSTEM

Front View



Top View



- **Fresh Air from Outside Port A:** Inlet for fresh outdoor air.
- **Exhaust Air to Outside Port B:** Outlet for exhausting stale, humid & contaminated air to the outdoors after transferring its heat to the recovery core.
- **Exhaust Air From Home Port C:** Exhausts stale, humid & contaminated air to the outside from multiple location of the home or from the return air of the forced air system, prior to passing through the heat recovery core. Ex: Bathroom, laundry room etc.
- **Fresh Air to Home Port D:** Introduces & distributes clean & fresh air to your home. The homes fresh air ports are normally installed in the main living areas or in the return/supply duct of the forced air system. Ex: Living room, bedrooms, recreation rooms etc.
- **5th Port on XDH Models only E:** Re-circulating port during defrost sequence, or with specific wall control Vectra EHC1.5, (RD-3D & RD-4D) Re-circulation mode can be chosen. (Ref. The Installation Guide)
- **Duotrol™ Systems:** Selects your ventilation modes (OFF, CONT or INTER), also to adjust your continuous airflow rates: Increasing (+)/Decreasing (-).
- **German Engineered Motors(2):** Designed with high performance and reliability, they are maintenance free for your comfort and peace of mind.
- **Synthetic Filters:** Capture the largest particle & protects your heat recovery core from potential obstruction by these particles.
- **Heat Recovery Core:** A polypropylene cross-flow type it is designed to transfer the heat between both exhaust & supply air streams without allowing any contamination or mixing of both air streams to maximize the efficiency and improves your indoor air quality. **Ideal for cold climates.*
- **Energy Recovery Core:** An energy recovery core transfers latent energy (humidity) & heat from one airstream to the other without mixing the airstreams for maximum efficiency and improves your indoor air quality. **Ideal for warm humid climates.*
- **Condensate Drain Pan & Drainage Hose:** Captures the water that accumulates during the heat transfer and defrosts sequence in the fall, winter & early spring seasons. Drain hose is connected to the drain pan and serves as drainage for the accumulation of water. It is normal during summer months to find no condensation in drain pan or in drainage hose.
- **Automatic Defrost Sequence:** The defrost sequence is electronically controlled to measure the incoming outdoor air temperature, the sequence is activated at -5°C (23°F) and colder. This system eliminates that the heat recovery or energy recovery core doesn't build with ice or freezes.
- **PH, PE, Solace XPH1.5, XPH2.0, SS 3.80, RNC1.5, RNC2.0 & RNC2.0ES Series defrost sequence:** Supply fans shut down, the exhaust fan speed increases pending the measured outside temperature.
- **XDH Model defrost sequence:** An automatic motorized damper closes the fresh air port, the exhaust fan shuts down, the supply fan increases speed pending the measured outside temperature and will draw air from the 5th port located upper left side.
- **C3.14HRV, RNC1.0 & RNC12 Defrost sequence:** An automatic motorized damper closes the supply & exhaust air and opens the re-circulation damper. this allows the unit to re-circulate the ambient air in the house. The supply motor is then off.

4. OPERATING OF THE DUOTROL™ SYSTEM

Our Duotrol™ System is state of the art technology simplified for quick and easy operation. The Duotrol™ System serves two purposes:



1. ACTS AS A MODE SELECTOR IN RUN MODE (OFF, CONT & INTER)

- **OFF:** When the selector switch is in the OFF position the ventilation system will not come on even if there's a request for ventilation from any remote controllers.
- **CONT:** When the selector switch is in the CONT position the ventilation system will exhaust stale indoor air to the outside and will introduce fresh outdoor air continuously on low speed except when there is a request for ventilation by one of the remote controllers then the ventilation system will exchange at high speed. **(Recommended for maximum indoor air quality.)**
- **INTER:** When the selector switch is in the INTER position the ventilation system will only run on high speed when there is a request for ventilation. At this time the unit will run on high speed until the level of humidity is below the set point. The T-3 timer has completed its time period or once the cycles per hour has completed its cycle.

TIP: During hot and humid days, it is recommended that you put the system on INTERM mode. This will reduce the amount of warm and humid fresh air coming inside the house.

NOTE: The following controls (EHC1.0, EHC1.5, RD-2, RD-3P, RD-3D, RD-4P & RD-4D) will override any setting on the Duotrol™ all except when in the OFF position.



2. ACTS AS VARIABLE SPEED SELECTOR

- When the **(+)** button is pushed this will increase the CONT speed of both ventilation system motors from the previous settings.
- When the **(-)** button is pushed this will decrease the CONT speed of both ventilation system motors from the previous settings.

NOTE: When the LED stops blinking the unit is at its maximum high speed or at its maximum low speed.

IMPORTANT: If speed setting is too high, extreme dryness can occur in home during winter months. If speed setting is too high, extreme humidity levels can occur during hot humid days.

IMPORTANT: If speed setting is too low, above normal humidity, stale and contaminated air levels can occur in home.

5. OPERATING YOUR WALL CONTROLS

VECTRA EHC1.0

BASIC VENTILATION WALL CONTROL



FEATURES

- Entry level touch panel control
- Compatible with all HRV's and ERV's
- Friendly Energy Savings Mode
- Simple user interface (No Programming)
- LED provides instant system feedback
- Lexan Graphic Touch Pad
- 7 Operating modes

ON/OFF BUTTON:

- Powers ON/OFF the HRV or ERV.

NOTE: When powered OFF, this puts the unit in stand-by mode, it will respond to auxiliary controls. (If present)

PREF BUTTON:

Mode selection : ECONO / VENT / 20MIN/HR

- **ECONO** – Friendly continuous ventilation energy savings mode. The ventilation system operates at reduced rate of 30% in continuous and at a reduced rate of 15% during maximum ventilation speed.
- **VENT** – Provides continuous ventilation speed set by the installer.
NOTE: The ventilation system will increase to high speed when a auxiliary control has been activated, if installed. (Recommended for best indoor air quality.)
- **20 MIN/HR** – Consist of 20 minutes cycle at maximum ventilation speed then followed by 40 minutes intermittent (the ventilation system is in stand-by mode)
NOTE: The ventilation system will increase to high speed when a auxiliary control has been activated during the 40 minute cycle, if installed.

VECTRA EHC1.5

PROGRAMMABLE DIGITAL WALL CONTROL



FEATURES

- Econo Friendly Energy Savings Mode
- Programmable digital contro
- High contrast LCD Display backlight
- Compatible with all HRV's and ERV's
- Interface provides instant system feedback
- 12 Operating modes
- **VENT** – Provides continuous ventilation speed set by the installer.
NOTE: The ventilation system will increase to high speed when a auxiliary control has been activated, if installed. (Recommended for best indoor air quality.)
- **ECO** – Friendly continuous ventilation energy savings mode. The ventilation system operates at reduced rate of 30% in continuous and at a reduced rate of 15% during maximum ventilation speed.
- **RECIRC*** – Recirculation ventilation mode . The recirculation mode recycles already-heated ambient air from the home and re-distributes throughout your home.
- **20MIN/HR** – Consist of 20 minutes cycle at maximum ventilation speed then followed by 40 minutes intermittent (the ventilation system is in stand-by mode) or a continuous ventilation speed depending the selected mode each hour.
NOTE: The ventilation system will increase to high speed when a auxiliary control has been activated during the 40 minute intermittent mode cycle, if installed.
- **20MIN/RECIRC***
RECIRC: Consist of 20 minutes cycle at maximum ventilation speed then followed by 40 minutes recirculation of warm ambient air (the ventilation system is in recirculation mode) or a continuous ventilation speed depending the selected mode each hour.
NOTE: The ventilation system will increase to high speed when a auxiliary control has been activated during the 40 minute recirculation mode cycle, if installed.
- **DEHUM** – Humidistat override mode and automatically ventilates at maximum speed based in indoor relative humidity settings.
- **MAX** – Maximum continuous ventilation speed
- **MED** – Medium continuous ventilation speed
- **MIN** – Minimum continuous ventilation speed
- **ON/OFF** – The ventilation system is powered ON/OFF.
NOTE: Puts the ventilation system in stand-by mode, it will respond to auxiliary controls. (If present)
- **SUMMER/ÉTÉ** – Dehumidistat Override = OFF

* Compatible with XDH7.15, C3.14, RNC1.0 & RNC12 only.

5. OPERATING YOUR WALL CONTROLS (CONTINUED)

Adjusting your RD Series Humidity Sensor Dial should be set accordingly or relative to the outside conditions. During winter season the Humidity Sensor Dial should be set within the comfort zone range (60% COMFORT ZONE 30%). If the home has excess dryness, adjust the Humidity Sensor Dial towards the higher settings. (Turn counter clockwise). If excess humidity is encountered turn the Humidity Sensor Dial to a lower setting. (Turn clockwise). Determining the humidity level in your home (turn the round humidity sensor dial counter clockwise to the OFF position, then turn it back clockwise slowly until you hear "click". The click is the approximate level of relative humidity.

NOTE: The comfort zone for relative humidity is between 60% and 30%; please adjust accordingly to your needs or requirements.

RD-1 MODEL™

DEHUMIDISTAT



FEATURES

- Dehumidistat to select the humidity level

Comes complete with Relative Humidity Sensor Dial.

RELATIVE HUMIDITY SENSOR DIAL (OFF/60%/COMFORT ZONE/30%):

- Overrides the ventilation system to high speed once the level of humidity is above the set point.
- If the ventilation system is in CONT or INTERM mode the ventilation system will automatically return to its original mode once the level of humidity is below the set point.

NOTE: By turning the relative humidity Sensor Dial to the OFF position does not turn off the ventilation system. It only deactivates the relative humidity sensor.

RD-2 MODEL™

DEHUMIDISTAT



FEATURES

- Dehumidistat to select the humidity level
- Range Control (OFF, NORMAL and REDUCED)
- Green LED light on = OVERRIDE
- Orange LED light on = CONT/INTERM

Comes complete with Relative Humidity Sensor Dial and Speed Control Selector Switch.

RELATIVE HUMIDITY SENSOR DIAL (OFF / 60% / COMFORT ZONE / 30%):

- Overrides the ventilation system to high speed once the level of humidity is above the set point.
- If the ventilation system is in CONT or INTERM mode the ventilation system will automatically return to its original mode once the level of humidity is below the set point.

NOTE: By turning the relative humidity Sensor Dial to the OFF position does not turn off the ventilation system. It only deactivates the relative humidity sensor.

RANGE SELECTOR SWITCH (OFF/NORMAL/REDUCED):

- **OFF** – Sends command to turn off the ventilation system.
- **NORMAL** – The ventilation system operates on installers set speeds (CONTINUOUS VENTILATION MODE).
- **REDUCE** – The ventilation system operates at 30% reduction in CONT and 15% in OVERRIDE set speed.

NOTE: REDUCE mode will not decrease below the maximum low speed of the ventilation system.

Installation of a RD-Series main wall control with your HRV/ERV will improve comfort and may significantly reduce the product's energy use.

5. OPERATING YOUR WALL CONTROLS (CONTINUED)

RD-3P MODEL™

DEHUMIDISTAT PROFESSIONAL



FEATURES

- Dehumidistat to select the humidity level
- Range Control (OFF, NORMAL and REDUCED)
- Mode Control (INTERM and CONT)
- Green LED light on = OVERRIDE
- Orange LED light on = CONT/INTERM

Comes complete with Relative Humidity Sensor Dial, Speed Control Selector Switch and Mode Selector Switch.

RELATIVE HUMIDITY SENSOR DIAL (OFF/60%/COMFORT ZONE/30%):

- Overrides the ventilation system to high speed once the level of humidity is above the set point.
- If the wall control is in CONT or INTERM mode the ventilation system will automatically return to its original mode once the level of humidity is below the set point.

NOTE: By turning the relative humidity Sensor Dial to the OFF position does not turn off the ventilation system. It only deactivates the relative humidity sensor.

RANGE SELECTOR SWITCH (OFF/NORMAL/REDUCED):

- **OFF** – Sends command to turn off the ventilation system.
 - **NORMAL** – The ventilation system operates on installers set speeds (CONTINUOUS VENTILATION MODE)
 - **REDUCE** – The ventilation system operates at 30% reduction in CONT and 15% in OVERRIDE set speed
- NOTE:** Reduce mode will not decrease below the maximum low speed of the ventilation system.

MODE SELECTOR SWITCH (INTERM/CONT):

- **INTERM** – When the selector switch is in the INTER position the ventilation system will only run on high speed when there is a request for ventilation. At this time the unit will run on high speed until the level of humidity is below the set point, The T-3 timer has completed its time period or once the cycles per hour has completed its cycle.
- **CONT** – Provides continuous ventilation. The ventilation system will increase to high when there is a request from one of the wall controls. (Recommended for maximum indoor air quality.)

RD-3D MODEL™

DEHUMIDISTAT DELUXE

(MODELS: C3.14, RNC1.0, RNC12 & XDH7.15 only)



FEATURES

- Dehumidistat to select the humidity level
- Range Control (OFF, NORMAL and REDUCED)
- Mode Control (INTERM, RECIRC and CONT)
- Green LED light on = OVERRIDE
- Orange LED light on = CONT/INTERM

Comes complete with Relative Humidity Sensor Dial, Ventilation Reduction Selector Switch and Mode Selector Switch.

RELATIVE HUMIDITY SENSOR DIAL (OFF/60%/COMFORT ZONE/30%):

- Overrides the ventilation system to high speed once the level of humidity is above the set point.
- If the wall control is in CONT or INTERM mode the ventilation system will automatically return to its original mode once the level of humidity is below the set point.

NOTE: By turning the relative humidity Sensor Dial to the OFF position does not turn off the ventilation system. It only deactivates the relative humidity sensor.

RANGE SELECTOR SWITCH (OFF/NORMAL/REDUCED):

- **OFF** – Sends command to turn off the ventilation system.
 - **NORMAL** – The ventilation system operates on installers set speeds (CONTINUOUS VENTILATION MODE)
 - **REDUCE** – The ventilation system operates at 30% reduction in CONT and 15% in OVERRIDE set speed.
- NOTE:** REDUCE mode will not decrease below the maximum low speed of the ventilation system.

MODE SELECTOR SWITCH (INTERM/RECIRC/CONT):

- **INTERM** – When the selector switch is in the INTER position the ventilation system will only run on high speed when there is a request for ventilation. At this time the unit will run on high speed until the level of humidity is below the set point, The T-3 timer has completed its time period or once the cycles per hour has completed its cycle.
- **CONT** – Provides continuous ventilation. The ventilation system will increase to high when there is a request from one of the wall controls. (Recommended for maximum indoor air quality.)
- **RECIRC** – The recirculation mode recycles already-heated ambient air from a selected area and distributes throughout your home. This enables the ventilation system to have an auxiliary air supply automatically during defrost sequence or when RECIRC mode is selected.

Installation of a RD-Series main wall control with your HRV/ERV will improve comfort and may significantly reduce the product's energy use.

5. OPERATING YOUR WALL CONTROLS (CONTINUED)

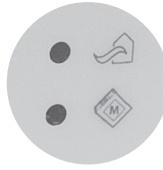
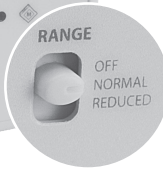
RD-4P MODEL™

DEHUMIDISTAT PROFESSIONAL



FEATURES

- Dehumidistat to select the humidity level
- Range Control (OFF, NORMAL and REDUCED)
- Mode Control (INTERM and CONT)
- Cycles per hour (0/0, 20/40 and 30/30)
- Green LED light on = OVERRIDE
- Orange LED light on = CONT/INTERM
- LED light maintenance reminder



Comes complete with Relative Humidity Sensor Dial, Speed Control Selector Switch, Mode Selector Switch, Cycles per Hour Selector Switch and Maintenance Reminder Feature.

RELATIVE HUMIDITY SENSOR DIAL (OFF/60%/COMFORT ZONE/30%):

- Overrides the ventilation system to high speed once the level of humidity is above the set point.
- If the wall control is in CONT or INTERM mode the ventilation system will automatically return to its original mode once the level of humidity is below the set point.

NOTE: By turning the relative humidity Sensor Dial to the OFF position does not turn off the ventilation system. It only deactivates the relative humidity sensor.

RANGE SELECTOR SWITCH (OFF/NORMAL/REDUCED):

- **OFF** – Sends command to turn off the ventilation system.
 - **NORMAL** – The ventilation system operates on installers set speeds (CONT and OVERRIDE)
 - **REDUCE** – The ventilation system operates at 30% reduction in CONT and 15% in OVERRIDE set speed
- NOTE:** REDUCE mode will not decrease below the minimum low speed of the ventilation system.

MODE SELECTOR SWITCH (INTERM/CONT):

- **INTERM** – When the selector switch is in the INTER position the ventilation system will only run on high speed when there is a request for ventilation. At this time the unit will run on high speed until the level of humidity is below the set point, The T-3 timer has completed its time period or once the cycles per hour has completed its cycle.
- **CONT** – Provides continuous ventilation. The ventilation system will increase to high when there is a request from one of the wall controls. (Recommended for maximum indoor air quality.)

CYCLES / HOUR SELECTOR SWITCH (0; 20/40; 30/30):

- **0** – The ventilation system operates at the settings of your RD Series wall control.
- **20/40** – The ventilation system cycles automatically for 20 minutes at high speed and returns to previous settings (CONT or INTERM) pending settings on the mode selector switch on your RD series wall control.
- **30/30** – The ventilation system cycles automatically for 30 minutes at high speed and returns to previous settings (CONT or INTERM) pending settings on the mode selector switch on your RD series wall control.

NOTE: The ventilation system will go to high speed if a demand from any remote wall control is activated when in the 2nd stage of cycle. (Ex: 40 or 30 minutes)

MAINTENANCE REMINDER LIGHT:

- LED is lit after 90 days consecutive power to the ventilation system.
- To reset the maintenance LED reminder, put the range selector switch to the OFF position.

Installation of a RD-Series main wall control with your HRV/ERV will improve comfort and may significantly reduce the product's energy use.

5. OPERATING YOUR WALL CONTROLS (CONTINUED)

RD-4D MODEL™

DEHUMIDISTAT DELUXE
(MODELS: C3.14, RNC1.0, RNC12 & XDH7.15 only)



FEATURES

- Dehumidistat to select the humidity level
- Range Control (OFF, NORMAL and REDUCED)
- Mode Control (INTERM, RECIRC and CONT)
- Cycles per hour (0/0, 20/40 and 30/30)
- Green LED light on = OVERRIDE
- Orange LED light on = CONT/INTERM
- LED light maintenance reminder



Comes complete with Relative Humidity Sensor Dial, Speed Control Selector Switch, Mode Selector Switch, Cycles per Hour Selector Switch and Maintenance Reminder Feature.

RELATIVE HUMIDITY SENSOR DIAL (OFF/60%/COMFORT ZONE/30%):

- Overrides the ventilation system to high speed once the level of humidity is above the set point.
- If the wall control is in CONT or INTERM mode the ventilation system will automatically return to its original mode once the level of humidity is below the set point.

RANGE SELECTOR SWITCH (OFF/NORMAL/REDUCED):

- **OFF** – Sends command to turn off the ventilation system.
- **NORMAL** – The ventilation system operates on installers set speeds (CONT and OVERRIDE).
- **REDUCE** – The ventilation system operates at 30% reduction in CONT and 15% in OVERRIDE set speed.
NOTE: REDUCE mode will not decrease below the maximum low speed of the ventilation system.

MODE SELECTOR SWITCH (INTERM/RECIRC/CONT):

- **INTERM** – When the selector switch is in the INTER position the ventilation system will only run on high speed when there is a request for ventilation. At this time the unit will run on high speed until the level of humidity is below the set point, The T-3 timer has completed its time period or once the cycles per hour has completed its cycle.
- **CONT** – Provides continuous ventilation. The ventilation system will increase to high when there is a request from one of the wall controls. (Recommended for maximum indoor air quality.)
- **RECIRC** – The recirculation mode recycles already-heated ambient air from a selected area and distributes throughout your home. This enables the ventilation system to have an auxiliary air supply automatically during defrost sequence or when RECIRC mode is selected.

CYCLES / HOUR SELECTOR SWITCH (0; 20/40; 30/30):

- **0** – The ventilation system operates at the settings of your RD Series wall control.
- **20/40** – The ventilation system cycles automatically for 20 minutes at high speed and returns to previous settings (CONT, INTERM or RECIRC) pending settings on the mode selector switch on your RD series wall control.
- **30/30** – The ventilation system cycles automatically for 30 minutes at high speed and returns to previous settings (CONT, INTERM or RECIRC) pending settings on the mode selector switch on your RD series wall control.

NOTE: The ventilation system will go to high speed if a demand from any remote wall control is activated when in the 2nd stage of cycle. (Ex: 40 or 30 minutes)

MAINTENANCE REMINDER LIGHT:

- LED is lit after 90 days consecutive power to the ventilation system.
- To reset the maintenance LED reminder, put the range selector switch to the OFF position.

TIPS: You can also opt to put your ventilation system on INTERM or OFF mode during the warmer months and run it only at night time once the temperature cools down.

Installation of a RD-Series main wall control with your HRV/ERV will improve comfort and may significantly reduce the product's energy use.

5. OPERATING YOUR WALL CONTROLS (CONTINUED)

T-3 MODEL™

PUSH-BUTTON TIMER



Comes complete soft touch button and integrated LED indicator light.

T-3 PUSH BUTTON TIMER (20/40/60 MINUTES HIGH SPEED EXCHANGE)

- Press the button once the LED comes on then release, this activates the ventilation system to high speed for 20 minutes.
- Press the button until the LED blinks 2 times then release, this activates the ventilation system to high speed for 40 minutes.
- Press the button until the LED blinks 3 times then release, this activates the ventilation system to high speed for 60 minutes.
- To turn off press button once, this will deactivate T-3 push button time and your ventilation system will return to previous settings.

TIPS: The T-3 model push button timer allows the homeowner control of the indoor humidity level in room were excess humidity is produced (Ex: Bathroom, kitchen & laundry room).

TIPS: Always leave a small gap when closing curtains and blinds in the winter months, this will allow proper circulation and will reduce or eliminate condensation that occurs when warm air is trapped between window, curtains & blinds.

CAUTION: IT IS POSSIBLE (AND NORMAL) TO EXPERIENCE CONDENSATION ON YOUR WINDOWS WHEN DRASTIC CHANGES IN INDOOR OR OUTDOOR TEMPERATURES OCCUR, WHEN EXCESS HUMIDITY IS CREATED OR UPON CLOSING CURTAINS AND BLINDS.

FEATURES

- 20/40/60 minutes High Speed Exchange
- Green LED light on = OVERRIDE

For more information about how to use the series of ventilation wall controls, please go to www.greentek.ca and download the complete user manual.

6. TROUBLESHOOTING

QUESTION / ITEM	DIAGNOSIS / SOLUTION
• HRV/ERV not running	<ul style="list-style-type: none"> • Verify breaker in main electrical panel • Verify the HRV or ERV is in the ON position • Verify the all wall controls switch on the HRV or ERV are activated to supply power to the unit • Unplug HRV or ERV verify if the controller is wired correctly to the connection box on the side of the unit • Verify main outlet polarization
• Air is too dry	<ul style="list-style-type: none"> • Increase the humidity level on the controller (Turn towards 60%) • Reduce continuous airflow rate • Switch ventilation mode from continuous to intermittent • Humidifier recommended if heating source is a forced air system
• Air too humid	<ul style="list-style-type: none"> • Suggest continuous operation of HRV or ERV • Reduce humidity level on dehumidistat (Turn towards 30%) • Increase continuous airflow rate • Insufficient ventilation, check capacity • Internal source of moisture, e.g. heating wood store in basement, possible leaks or poor insulation R-value and or dryer is venting in basement
• Vibration or noise	<ul style="list-style-type: none"> • Verify that vibration mounting straps, hanging chains or wall bracket is used for hanging the units. • Verify that flexible duct connections are use between the HRV or ERV and the rigid duct. • Verify that the motors are operating and are not obscured by any debris • Insure motor moves freely with turning by hand.
• Cold air	<ul style="list-style-type: none"> • Misplaced supply outlets • Defrost no operating correctly • The HRV or ERV not properly balanced • High airflow on furnace continuous mode • Insure HRV or ERV is interlock when integrated with forced air system
• Contamination or Pollutants	<ul style="list-style-type: none"> • Insure proper clearance of ventilation hoods from source of contaminants
• Condensation	<ul style="list-style-type: none"> • Verify that the HRV or ERV is level to insure proper drainage • Verify that the duct connection are fix and secured with screws to the HRV or ERV. • Verify the cold side duct connections are fully insulated and that vapor barrier is taped to insure a proper seal. • Look for signs of crushed section, failing duct straps, puncture vapor barrier, missing insulation. • Look for sign of water accumulation/leakage/dripping • Verify that the drain connection is not kinked; the "P" trap is not to close to unit or obscured with debris.

7. MAINTENANCE OF THE VENTILATION SYSTEM (PH, PE, SOLACE, DH & SS SERIES)

ROUTINE MAINTENANCE

SEVEN-STEP MAINTENANCE SCHEDULE

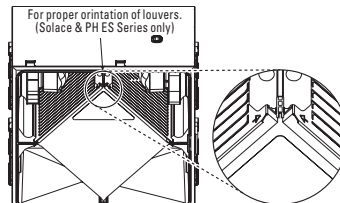
With routine preventative maintenance, you can avoid unnecessary problems, ensure the effectiveness of your HRV, and prolong its life. For additional specific instructions, refer to your HRV operating manual or ask the contractor who installed or services the HRV to demonstrate the proper maintenance procedures.



WARNING:

BE SURE TO DISCONNECT THE ELECTRICAL POWER BEFORE SERVICING YOUR SYSTEM

1. Clean or replace air filters. Filters, which are located within the HRV should be cleaned every two to three months. Filters should be vacuumed first, then washed with a mild soap and water. Most washable filters will last several years before needing to be replaced.
2. Clean the exterior intake and exhaust vents of obstructions. Check the outside vents regularly to ensure that the screen openings are not obstructed by grass, bushes, leaves, snow or other debris.
3. Clean and inspect the heat-exchange core and aluminum louvers (*Ref. Fig. 17.1 for proper orientation of louvers*). Twice a year and clean it as required (consult your owner's manual for instructions on inspecting and cleaning the core). A build-up of dust and dirt can restrict airflow and reduce the efficiency of your HRV/ERV. After inspection and cleaning, make sure the core is replaced right-side-up.
4. Clean the condensate drain and pan. Twice a year, check the condensate drain and tubing to ensure that they are open and free-flowing. The tubing can be disconnected for cleaning. The condensate drain must have a "trap" in the tubing that traps a quantity of water – to prevent air from entering the HRV/ERV via this tubing
5. Service the fans. The fans on the HRV/ERV's are designed to operate continuously without lubrication. Inspect the blower fans periodically for dirt on the blades, and remove it by gently brushing the blades or using a vacuum cleaner.
6. Clean the grilles and inspect the ductwork. Clean the grilles when they are dusty. At least once a year, visually inspect the ductwork leading to and from the HRV. Damaged ducts can lead to condensation problems, including wet insulation, water on the floor and, ice build-up. If the insulation itself is damaged.
7. Arrange for an annual servicing. Your HRV/ERV should undergo annual general servicing by a certified contractor and who is familiar with your HRV. If possible, have your furnace and HRV serviced at the same time; this will result in less inconvenience and cost than two separate visits.



WARRANTY PROCEDURES AND CONDITIONS



The following advisory is intended to explain Greentek's warranty procedures with regard to Greentek IAQ products. Note observing proper warranty procedures will expedite the processing of warranty claims and will help reduce the number of claims that are denied. Please take note of the following warranty procedure to avoid the denial or a reduction in the reimbursement to your warranty issues or claims.

NO CLAIMS WILL BE ACCEPTED WITHOUT AN RGA NUMBER

STANDARD WARRANTY PROCEDURES Upon notice of warrantable failure, information should be gathered specific to the cause and results of the failure. Warranty claim request must be filed within 30 days of failure.

Contact Greentek Customer Service/Technical Support Line at 1-888-724-5211 and explain the situation, including model and serial number of the machine. We will advise as to proper procedures to either repair or replace as necessary and the warranty coverage available.

Order the parts required to replace the defective parts after authorization by faxing your order to 1-866-426-7430. Important the unit model as well as the serial number must be stated to insure replacement parts are accurate.

Greentek's Warranty Claim Form or similar form must be filled with the specific following information: model, serial number, date installed, installer, distributor and a detailed report on the failure.

Retain all defective parts (well identified) with the claim report, warranty claim form. An (RGA) Return Goods Authorization Number must be obtained before any parts or claims are returned or authorized to be scrapped in the field. Call Greentek's Customer Service Line at 1-888-724-5211 for an RGA Number.

Invoice/Greentek's Warranty Claim Form or similar for warranty replacement parts must be accompanied by the model and serial number of the defective unit.

Notice: The MODEL NUMBER, SERIAL NUMBER and RGA NUMBER must be supplied at all times. If failing to comply in regards to the above procedures, no warranty claims or credit will be issued.

GREENTEK'S LIMITED WARRANTY ON COMPONENTS – Greentek warrants the components (controls, sensor & electronics) to be free from defects in material and workmanship. If a defect is found within the models warranty period from date of original installation of the product (whether or not actual use begins on that date). Greentek will provide a new or remanufactured part, at Greentek's discretion, to authorize replacement of defective part, without charge for the part itself.

	MODELS
5-Years	PH7.15, PH7.15ES, XPH1.5, PE7.15, PH10.22, PH10.22ES, XPX2.0, PE10-22, XDH7.15, C3.14HRV, SS3.80 HRV, SS3.80ERV
2-Years	RNC12, RNC1.0, RNC1.5, RNC2.0, RNC2.0ES

LIMITED WARRANTY ON VENTILATION MOTORS Greentek warrants the ventilation motors against defects in material and workmanship within the models warranty period from the date of original installation. Greentek will provide a new or remanufactured part, at Greentek's discretion, to authorize replacement of defective part, without charge for the part itself.

	MODELS
10-Years	PH7.15, PH7.15ES, XPH1.5, PE7.15, PH10.22, PH10.22ES, XPX2.0, PE10-22, XDH7.15
5-Years	C3.14HRV, SS3.80HRV, SS3.80ERV
2-Years	RNC12, RNC1.0, RNC1.5, RNC2.0, RNC2.0ES

LIFETIME LIMITED WARRANTY ON POLYPROPYLENE HEAT RECOVERY CORE – Greentek warrants the polypropylene heat recovery core against defects in material and workmanship for a lifetime from the date of original installation. Greentek will provide a new or remanufactured part, at Greentek's discretion, to authorize replacement of defective part, without charge for the part itself.

5-YEAR LIMITED WARRANTY ON ENTHALPY ENERGY RECOVERY CORE – Greentek warrants the enthalpy energy recovery core against defects in material and workmanship for a period of five years from the date of original installation. Greentek will provide a new or remanufactured part, at Greentek's discretion, to authorize replacement of defective part, without charge for the part itself.

1-YEAR LIMITED WARRANTY – Greentek warrants replacement parts that have been replaced after the standard period of the previous limited warranty, to be free from defects in material and workmanship. If a defect is found within one year from date of original installation of replacement part, (whether or not actual use begins on that date) Greentek will provide a new or remanufactured part, at Greentek's discretion, to authorize replacement of defective part, without charge for the part itself.

WARRANTY CONDITIONS – Warranties apply only to Greentek products installed in their original location. Installation, use, care, and maintenance must be normal and in accordance with instructions contained in the Owner's Manual and service information. Defective parts must be returned to the distributor through a registered servicing dealer for credit. All work shall be performed by a certified technician.

GREENTEK WILL NOT BE RESPONSIBLE FOR – Normal maintenance, installation, including filter cleaning and/or replacement, damage or repairs required as a consequence of faulty installation, misapplication, abuse, improper servicing, unauthorized alteration or improper operation. Damage as a result of floods, winds, fires, lightning, accidents, corrosive environments or other conditions beyond the control of Greentek. Parts not supplied or designated by Greentek, or damages resulting from their use

NOTICE: None of these warranties include labor or other costs incurred for diagnosing, repairing, removing, installing, shipping, servicing or handling of either defective parts, or replacement parts, or new units.



50 Kanalfakt Way., Bouctouche, NB E4S 3M5
1-888-724-5211 Fax 1-866-426-7430
www.greentek.ca